

LMC2015_FIBER_M_CUH_V4(0)

USBLMC Client Use Handbook

Fiber Laser Control Board

Version recorder

version	Date	Comment
V4	2015-08-	LMCV4-FBIER-M Control Board

Content

Safety instruction	
Safety During Installation And Operation.....	1
1.1 How to identify a LMCV4-FIBER-M board.....	2
1.2 main feature.....	3
2 electrical wiring.....	3
2.1 pin definition.....	3
2.1.1 power supply.....	3
2.1.2 CON1 : DB15 scanhead control.....	3
2.1.3 CON2 : DB25 Laser Control.....	5
2.1.4 CON4 : DB15 power supply and extension axis control.....	6
2.3 wiring for digital I/O.....	7
2.3.2 input signal XORG0,GIN15,Remark.....	7
2.3.3 Out4—Out5.....	7
3 Control Board Size.....	8

Safety During Installation And Operation

Please read these operating instruction completely before you proceed with installing and operating this product. If there are any questions regarding the contents of this manual, please contact BJJCZ.

1. Steps For Safe Operation

- Carefully check your application program before running it. Programming errors can cause a break down of the system. In this case neither the laser nor the scan head can be controlled.
- Protect the board from humidity, dust, corrosive vapors and mechanical stress.
- For storage and operation, avoid electromagnetic fields and static electricity. These can damage the electronics on the product. For storage, always use the antistatic bag.
- The allowed operating temperature range is $25^{\circ}\text{C} \pm 10^{\circ}\text{C}$.
- The storage temperature should be between -20°C and $+60^{\circ}\text{C}$.

2. Laser Safety

- This product is intended for controlling a laser scan system. Therefore all relevant laser safety directives must be known and applied before installation and operation. The customer is solely responsible for ensuring the laser safety of the entire system.
- All applicable laser safety directives must be adhered to. Safety regulation may differ from country to country. It is the responsibility of the customer to comply with all local regulations.
- Please observe all laser safety instructions as described in you scan head or scan module manual, and this manual.
- **Always turn on the power of this product and the power supply for the scan head first before turning on the laser. Otherwise there is the danger of uncontrolled deflection of the laser beam.**

We recommend the use of a shutter to prevent uncontrolled emission of laser radiation.

. Common Digital Module

1.1 How to identify a LMCV4-FIBER-M board.

Place the board like the following picture. Then you will see a label marked MODEL : LMCFIBER and REV: 20150723

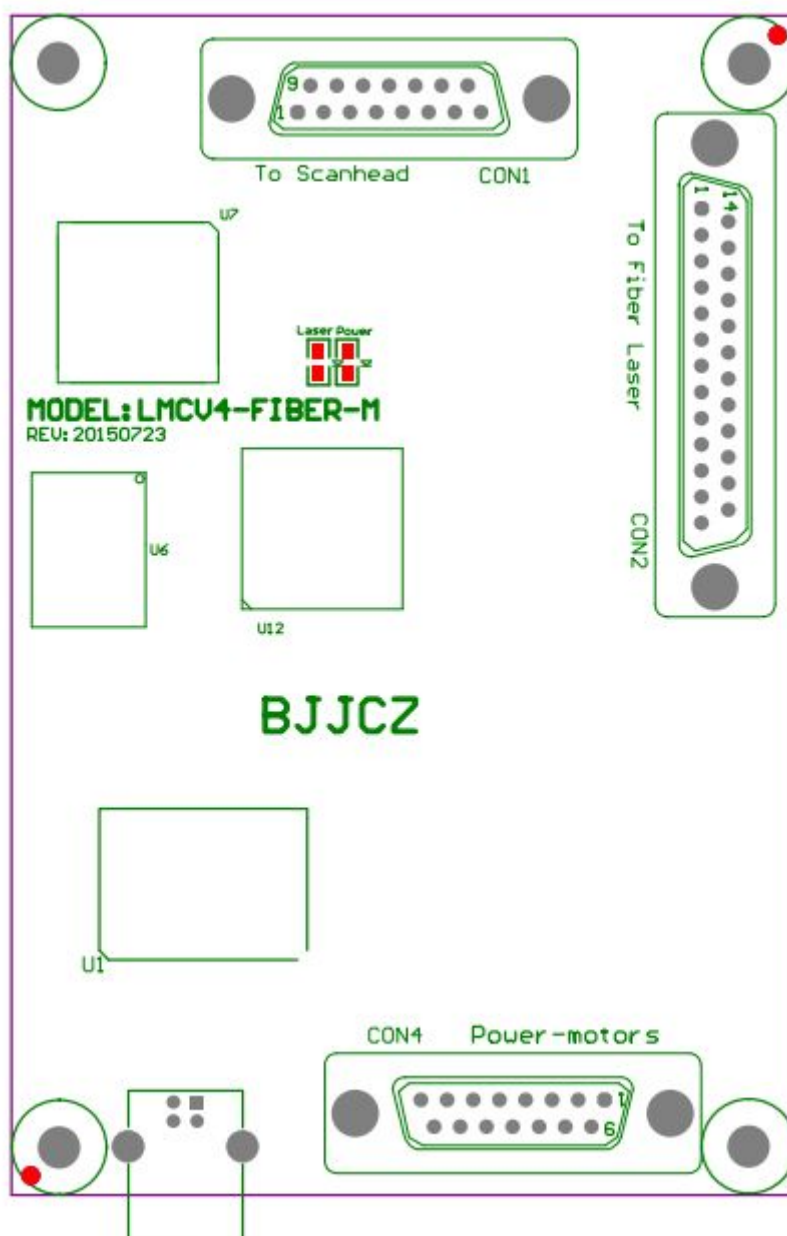


Fig 1- 1 LMCV4- Fiber-M card illustration

In this picture,
CON1: scanhead control socket, DB15

CON2: laser control socket, DB25

CON4: power supply ,extension axis control and i/o, DB15

1.2 main feature

- Standard DB25 connector, can be wire to IPG laser directly.
- Galvo control signal is digital, which can be connect to most scanhead directly.
- on-the-fly marking feature. A encoder can be used to surveillance the pipeline speed real-timely.
- Multiple boards on 1 computer: One computer can control up to 8 control board to mark different pattern simultaneously
- Extension axis(step motor or sever motor): two set of direction/pulse signal can be used to control 2 step(server) motors.
- 6 general input signals(TTL compatible): In0-In3, XORG0(IN14), IN15.
- 2 general output signals(TTL compatible): OUT4-OUT5 coming out of Con4.
- Remark function: this function is used to remark what ever is in the memory of the board, especially convenient for high speed marking of a same pattern.
- Compatible with USB2.0 specifications.

2 electrical wiring

2.1 pin definition

2.1.1 power supply

The control board need a 5V DC power supply. We recommend a 5V/3A DC supply. The Vcc and Gnd pin are 4/5 and 12/13 of CON4 respectively.

CON4 pins	Name	function
4, 5	VCC	+5V power supply.
11, 12, 13	GND	Reference ground of the power supply.

2.1.2 CON1 : DB15 scanhead control

The signals that control scanhead are digital, therefore can be connected to the digital scanhead directly. Because the protocols that every manufacturer used are not always the same, you need to conform which protocol is used. We also provide a D/A converter in the package. The digital signal converted by which can be connected to a analog scanhead.

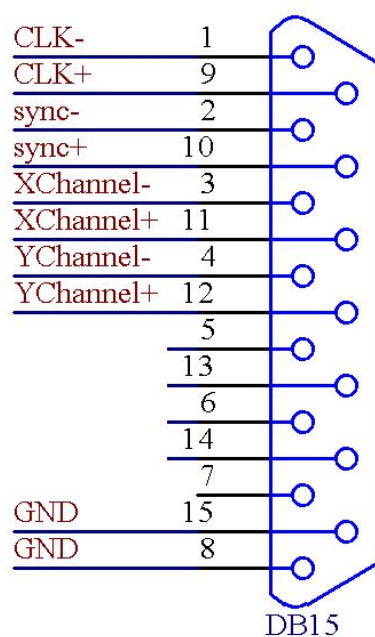


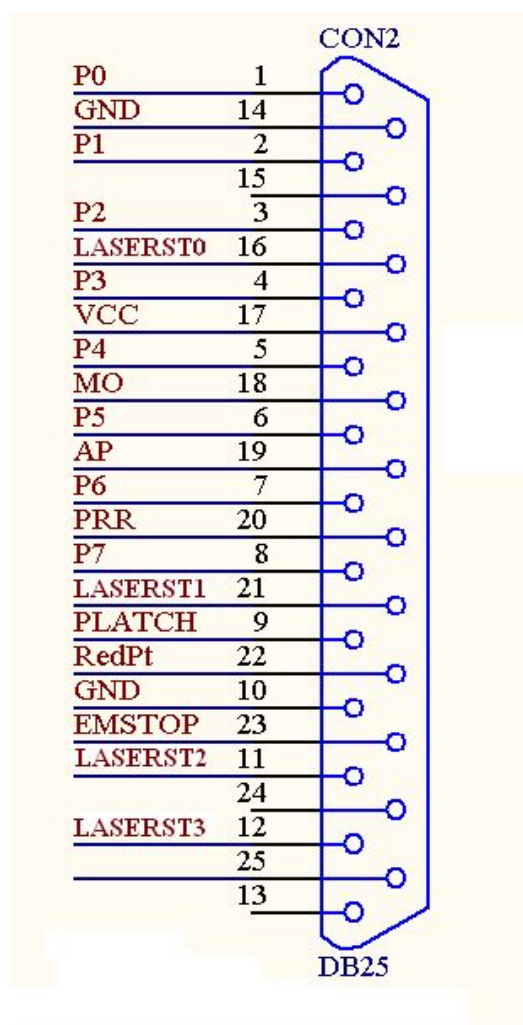
Fig 2-1 pin definition of CON1

Pin	Name	Function
1, 9	CLK- / CLK+	Clock signal- / Clock signal+
2, 10	SYNC- / SYNC+	Synchronization signal - / Synchronization signal+
3, 11	X Channel- / X Channel+	Scanhead signal X- / Scanhead signal X+
4, 12	Y Channel- / Y Channel+	Scanhead signal Y- / Scanhead signal Y+
5, 13	Z Channel- / Z Channel+	Scanhead signal Z- / Scanhead signal Z+
6, 14,	Status-/Status+	Reserved
7	NULL	Reserved
8, 15	GND	Reference signal

To a commonly used two dimension scanhead, connecting CLK, SYNC, four wires for XChannel and Ychanne and the GND would be enough. We recommend a shielded twisted pair for all digital signal.

2.1.3 CON2 : DB25 Laser Control

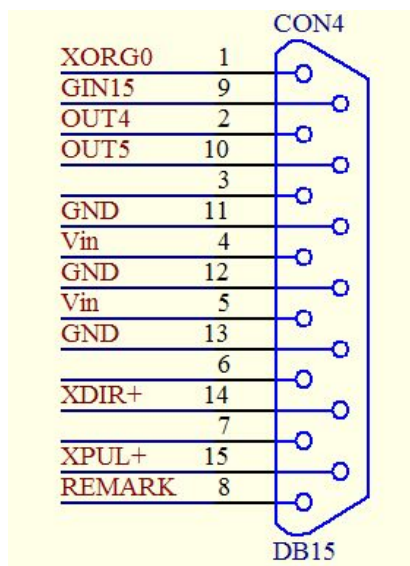
CON2 socket can be connected to the DB25 connector through a pin to pin cable.



Pic 2_2 Pin definition for CON2

Pin No.	Signal	Illustration
1—8	P0—P7	Laser power signal.TTL compatible
9	PLATCH	Power signal latch. TTL compatible.
10, 14,	GND	The reference ground of the control board.
11, 12, 16, 21	LASERST0~3	Alarm signal of Laser module
17	VCC	5V power output.
18	MO	Main oscillator signal. TTL compatible.
19	AP	Power amplifier signal. TTL compatible.
20	PRR	Pulse repetitive rate signal. TTL compatible.
22	RedPt	Red light pointer signal. TTL compatible.
23	EMSTOP	Emergency stop signal. TTL compatible.
13,24,25		Unconnected.

2.1.4 CON4 : DB15 power supply and extension axis control and IO.



Pic 2-3 CON4 pin definition

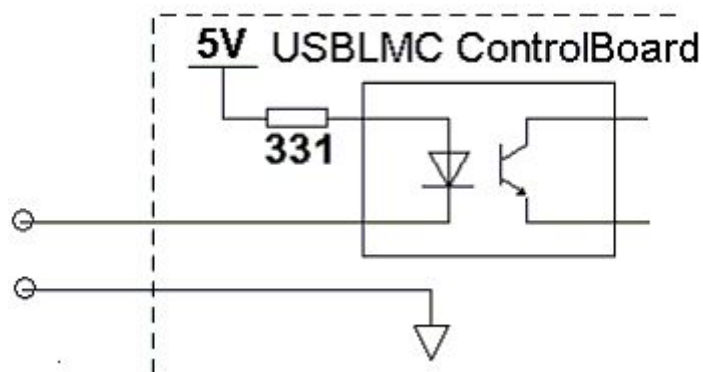
Pin	NAME	Function
1	XORG0	The home signal of extension axis X. To use this pin just connect it and GND to a switch. In software In14 represents this pin.
2	GIN15	General input in15, using GND as a reference ground.
2, 10	OUT4, OUT5	General Output Out 4—Out 5, using GND as reference ground. They are all TTL output .
4, 5	Vin	Input pin for 5V power supply.
11,12, 13	Gnd	Reference ground of 5V power supply
14	XDIR+	Direction signal of extension axis X. It is a TTL output. For common anode, use VCC and XDIR+ signals, and VCC is anode signal.
15	XPUL+-	Pulse signal of extension axis X. It is a TTL output. For common anode, use VCC and XDIR+ signals, and VCC is anode signal.
8	ReMark	Repeat marking signal. Use GND as a reference ground, to use this signal just connect a switch between this pin and GND. When it is activated the control will mark the content in the cache.

2.3 wiring for digital I/O.

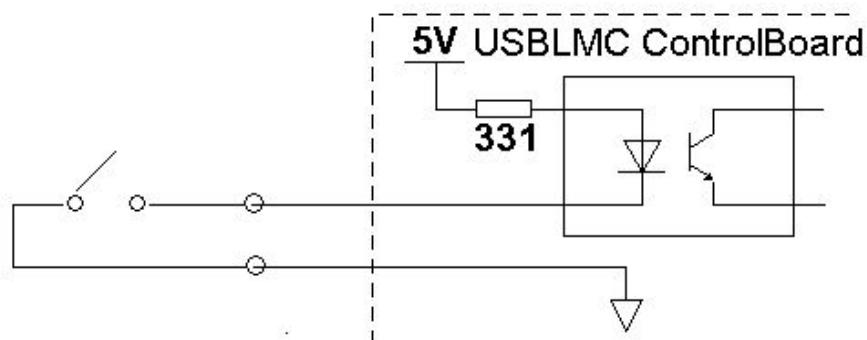
2.3.1 I/O that can be connect to GND

As name suggested these kind of I/O can be connected to switch and then to the ground. In4-8,XORG0,YORG0, Remark are of these kind.

The following schematics are typical wiring for these kind of signal.



Pic 2-7 wiring for general input pins



Pic 2-8 recommended wiring for general input pins

For these pins the resistor of the switch should be below 100ohm.

2.3.3 Out4, Out5 .

Out4, Out5 are TTL signal.

If a output is in TTL mode, The output must not be short circuited or wire to GND directly. Otherwiser the board can be damaged.

3 Control Board size

