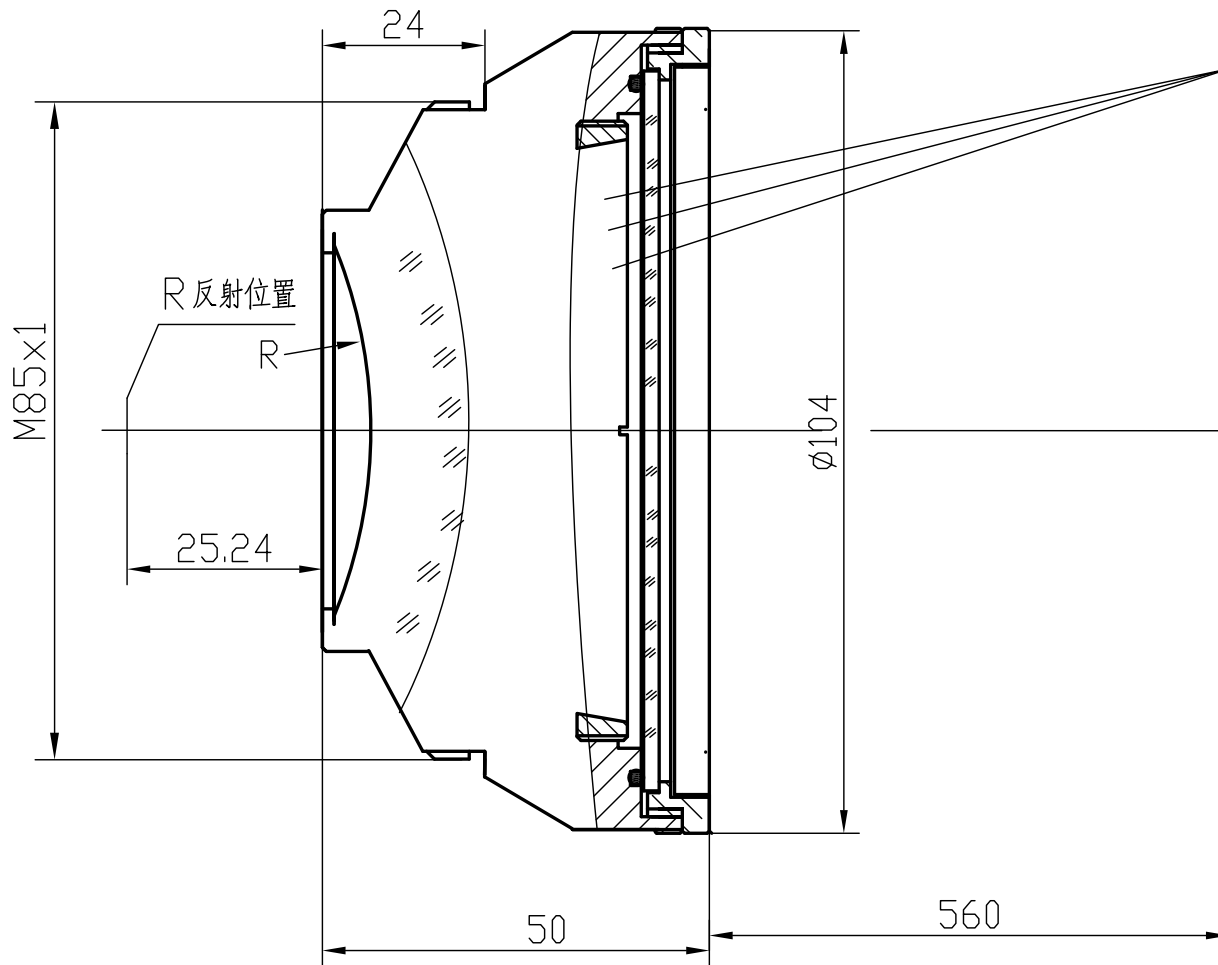


# F-Theta f=500mm D20mm

Drawing No. SH-1064-360-500-20-FS



## Specification

EFL	500mm
S	560mm
Wavelength	$\lambda = 1064\text{nm}$
scan angle	$\pm 28^\circ$
max scan field	360mm x 360mm
Entrance beam diameter $\phi$	20mm
Center point diameter ( $1/e^2$ )	49 $\mu\text{m}$
Edge point diameter ( $1/e^2$ )	52 $\mu\text{m}$
mirror distance $m_1$	24-30
mirror distance $m_2$	20
Transmission >	99.2%
Thread	M85x1
With protective window	yes