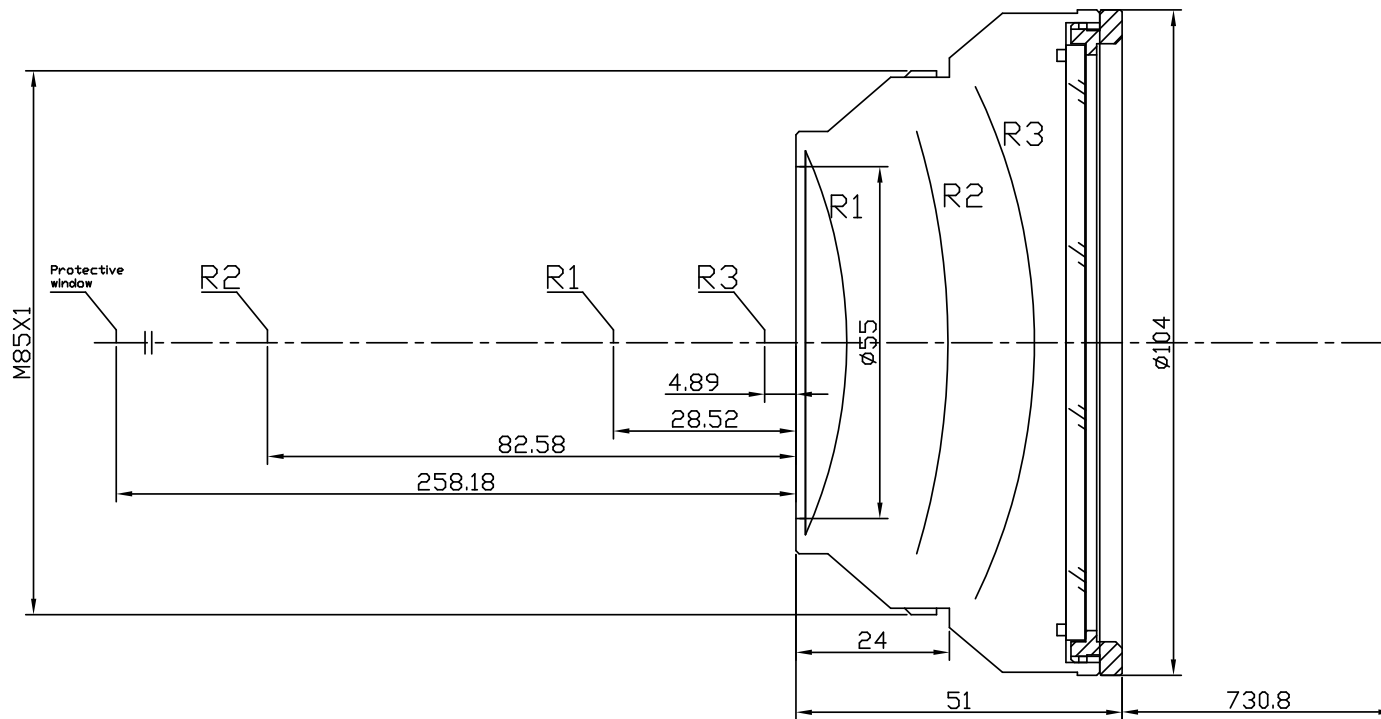


F-Theta f=650mm

Drawing No. SH-980-450-650-20-FSV2



Specification

EFL	650mm
S	730.8mm
Wavelength	$\lambda = 980\text{nm}$
scan angle	$\pm 28^\circ$
max scan field	450mm x 450mm
Entrance beam diameter \varnothing	20mm
Center point diameter (1/e ²)	58 μm
Edge point diameter (1/e ²)	60 μm
mirror distance m1	
mirror distance m2	10-23
Transmission >	98%
Thread	M85x1
With protective window	yes