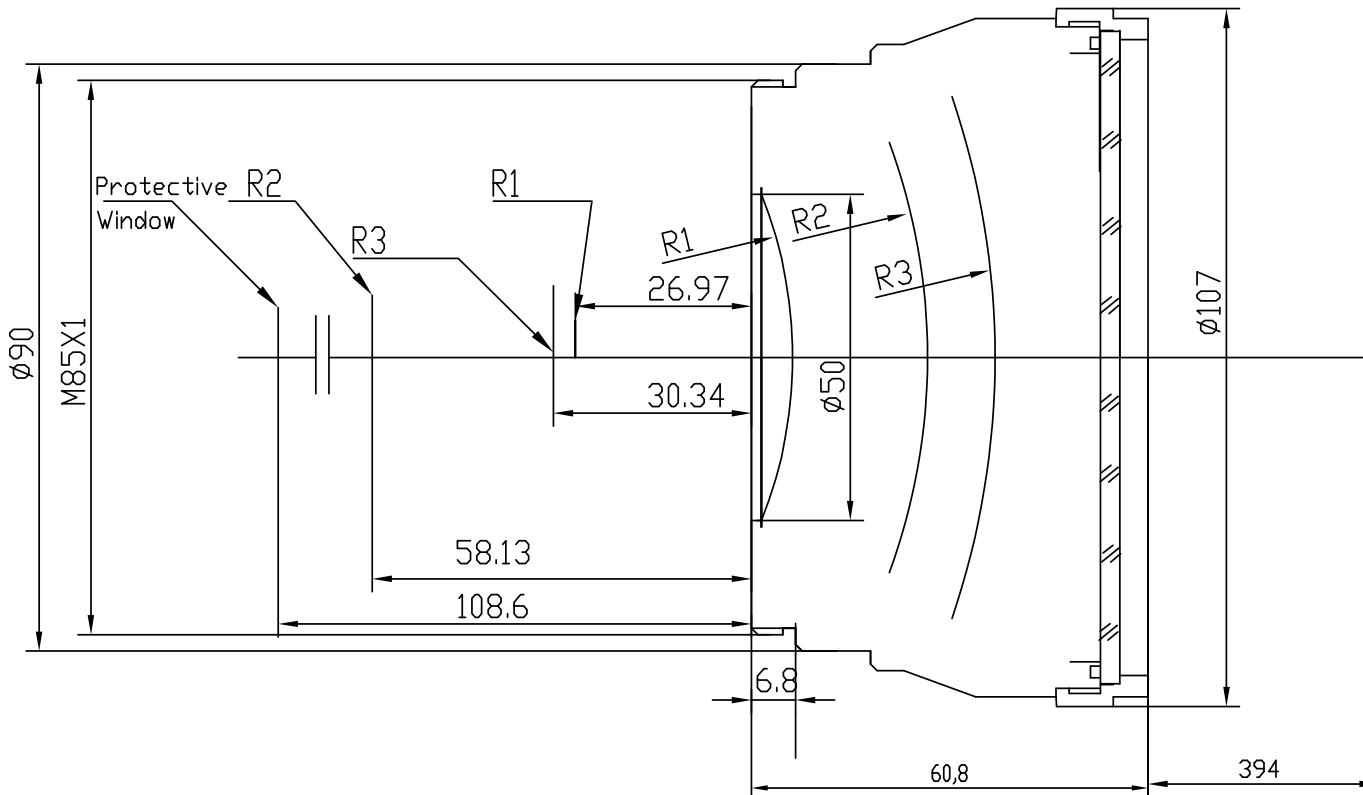


F-Theta f=330mm

Drawing No. SH-980-220-330-20-FS



Specification

EFL	330mm
S	394mm
Wavelength	$\lambda = 980\text{nm}$
scan angle	$\pm 28^\circ$
max scan field	220mm x 220mm
Entrance beam diameter \varnothing	20mm
Center point diameter (1/e ²)	33 μm
Edge point diameter (1/e ²)	34 μm
mirror distance m1	24-30
mirror distance m2	<19
Transmission >	98%
Thread	M85x1
With protective window	yes

suggest: without adapter ring