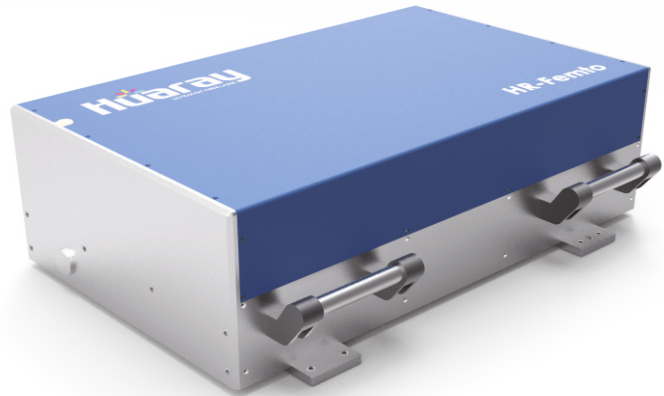


HR-Femto-IR-50-40

Femtosecond DPSS-Laser
Data sheet V 1.0

Features

- » <300 fs- 10 ps tunable pulse
- » Pulse on demand function
- » Support multiple Burst modes
- » Optional SHG module
- » Medical device fabrication

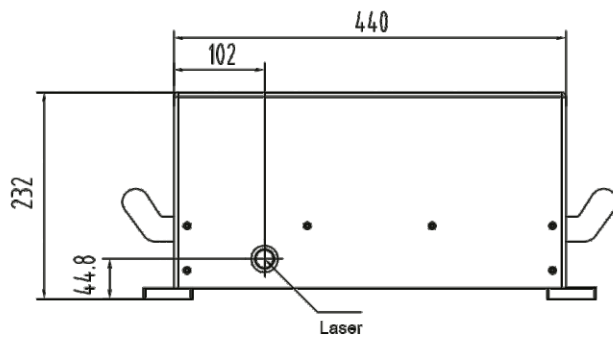


TECHNICAL SPECIFICATIONS

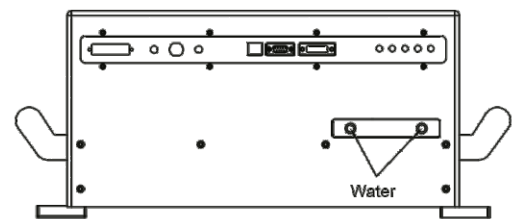
Central wavelength	1035 nm	Beam circularity	>90%
Output power	40 W	Pulse stability	<2% RMS
Max. pulse energy	50 mJ @ 800 kHz	Power stability	<2% RMS
Burst energy	200 µJ	Power supply	AC 220/110V
Repetition frequency	Single shot 800 kHz	Operating temperature	10 - 30 °C
Pulse width	<300 fs to 10 ps	Storage temperature	-10 - 60 °C
Beam divergence	<1 mrad	Cooling method	Water
Beam diameter	3 mm	Laser dimension(mm)	720x220x440
Beam quality	<1.2 M ²	Net weight	< 40 kg
Polarization state	Linear		

HR-Femto-IR-50-40

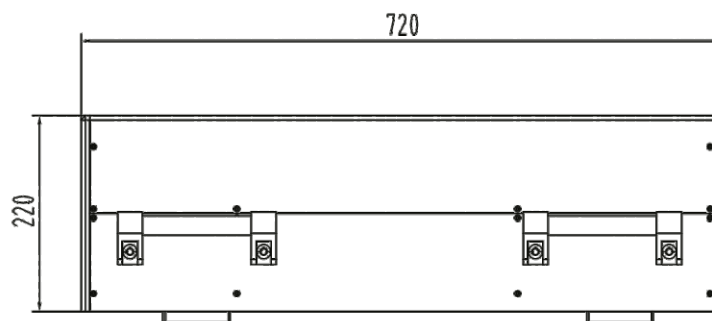
Front View



Rear View



Side View



Top View

