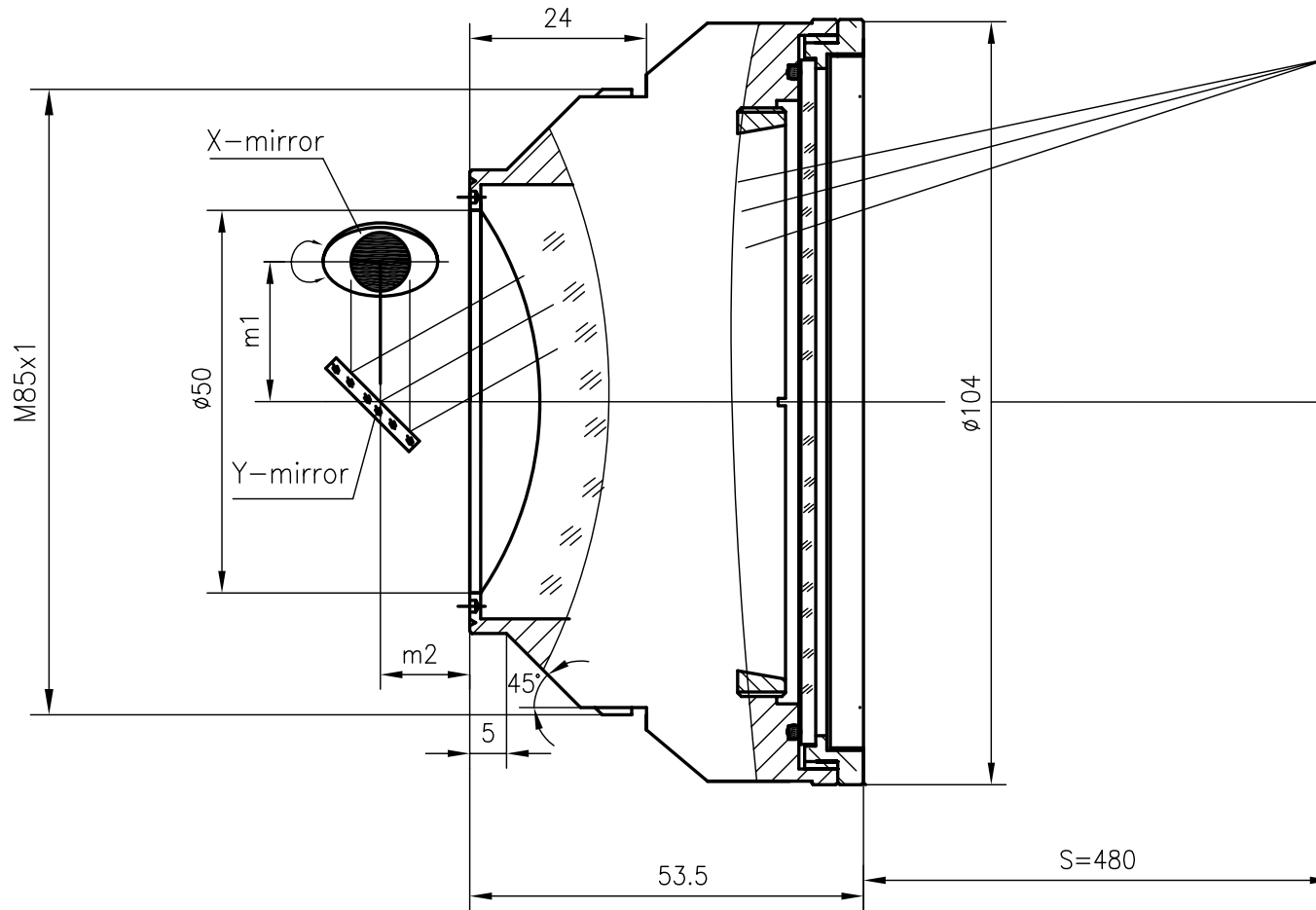


# F-Theta f=420mm

## Drawing No. SH-1064-300-420-20



### Specification

EFL	420mm
S	480mm
Wavelength	$\lambda = 1064\text{nm}$
scan angle	$\pm 28^\circ$
max scan field	300mm x 300mm
Entrance beam diameter $\phi$	20mm
Center point diameter ( $1/e^2$ )	41 $\mu\text{m}$
Edge point diameter ( $1/e^2$ )	44 $\mu\text{m}$
mirror distance $m1$	18
mirror distance $m2$	24
Transmission >	98%
Thread	M85x1
With protective window	yes

**INNNOTECH**  
LASER