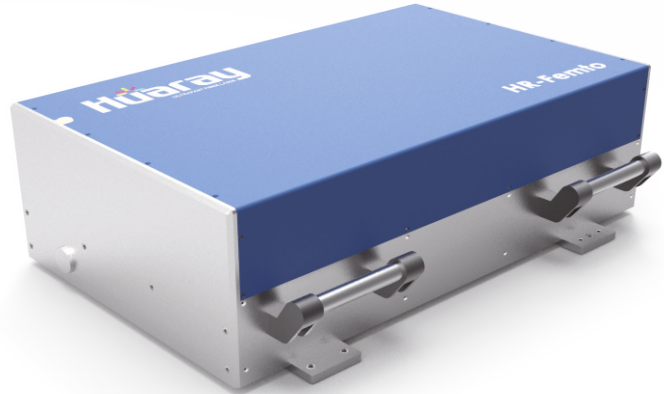


# HR-Femto-GN-20-15

Femtosecond DPSS-Laser  
Data sheet V 1.0

## Features

- » <300 fs- 10 ps tunable pulse
- » Pulse on demand function
- » Support multiple Burst modes
- » Optional SHG module
- » Medical device fabrication



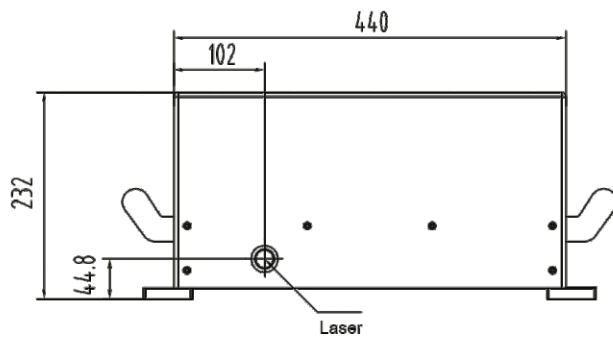
## TECHNICAL SPECIFICATIONS

Central wavelength	517 nm
Output power	15 W
Max. pulse energy	20 mJ @ 800 kHz
Burst energy	-
Repetition frequency	Single shot 800 kHz
Pulse width	<300 fs to 10 ps
Beam divergence	<1 mrad
Beam diameter	3 mm
Beam quality	<1.2 M <sup>2</sup>
Polarization state	Linear

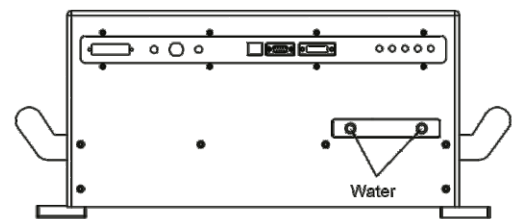
Beam circularity	>90%
Pulse stability	<2% RMS
Power stability	<2% RMS
Power supply	AC 220/110V
Operating temperature	10 - 30 °C
Storage temperature	-10 - 60 °C
Cooling method	Water
Laser dimension(mm)	720x220x440
Net weight	< 40 kg

# HR-Femto-GN-20-15

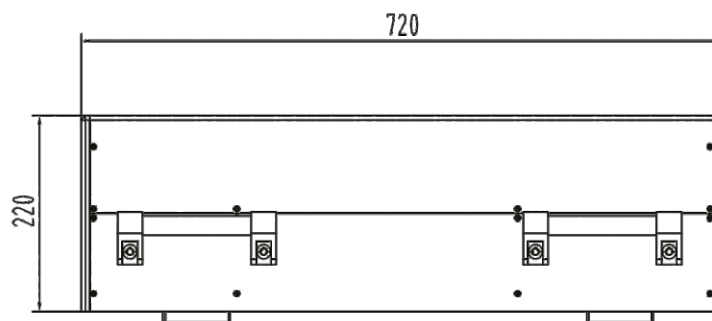
**Front View**



**Rear View**



**Side View**



**Top View**

