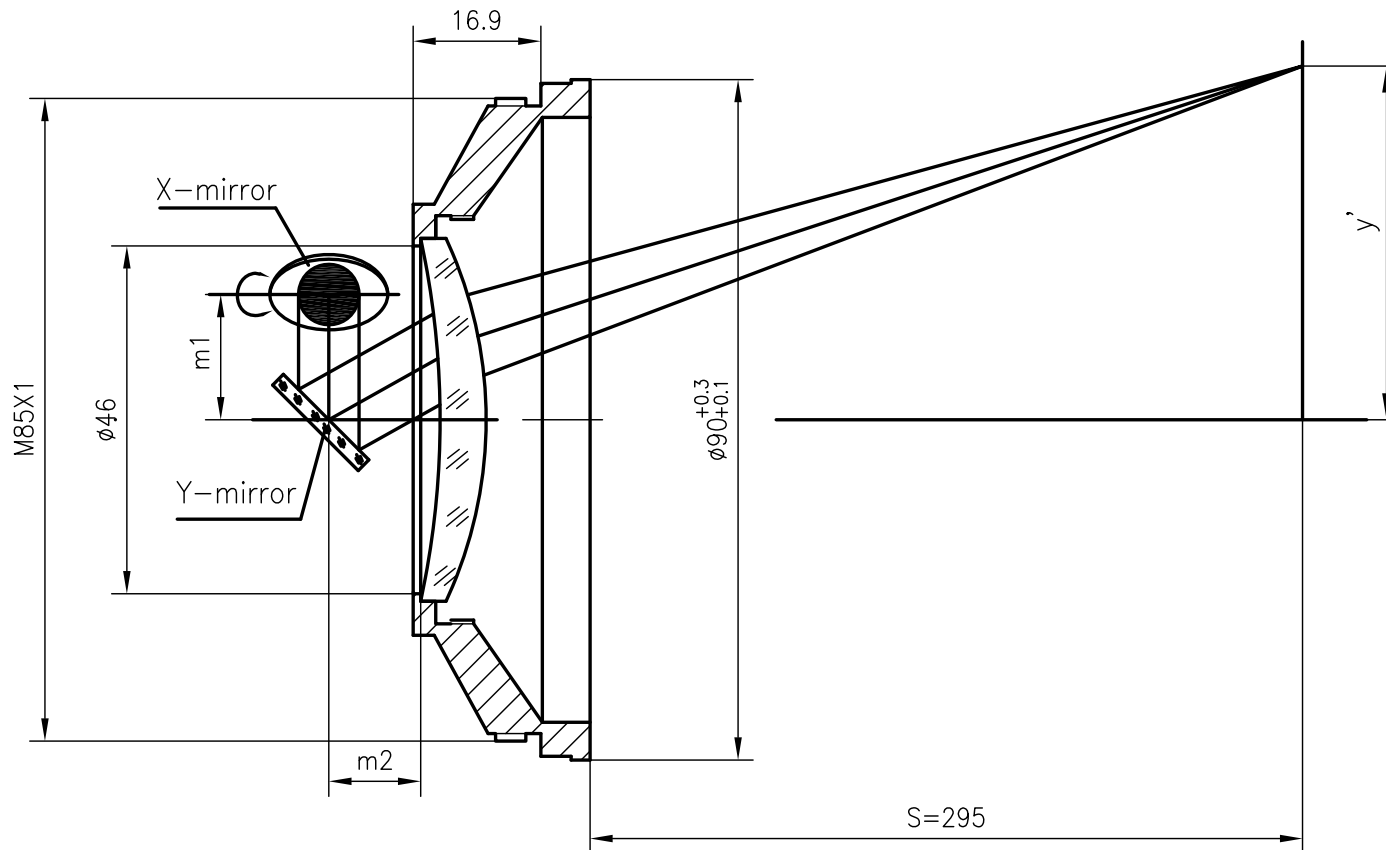


F-Theta f=300mm

Drawing No. SH-10,6-48-200-300-14



Specification

EFL	300mm
S	295mm
Wavelength	$\lambda = 10,6 \mu\text{m}$
scan angle	$\pm 28^\circ$
max scan field	200mm x 200mm
Entrance beam diameter ϕ	14mm
Center point diameter ($1/e^2$)	437 μm
Edge point diameter ($1/e^2$)	450 μm
mirror distance m_1	16-20
mirror distance m_2	10-12
Transmission >	97%
Thread	M85x1