

## RFL-C12000M-HP

High performance CW fiber laser  
Data sheet V 1.0

### Features

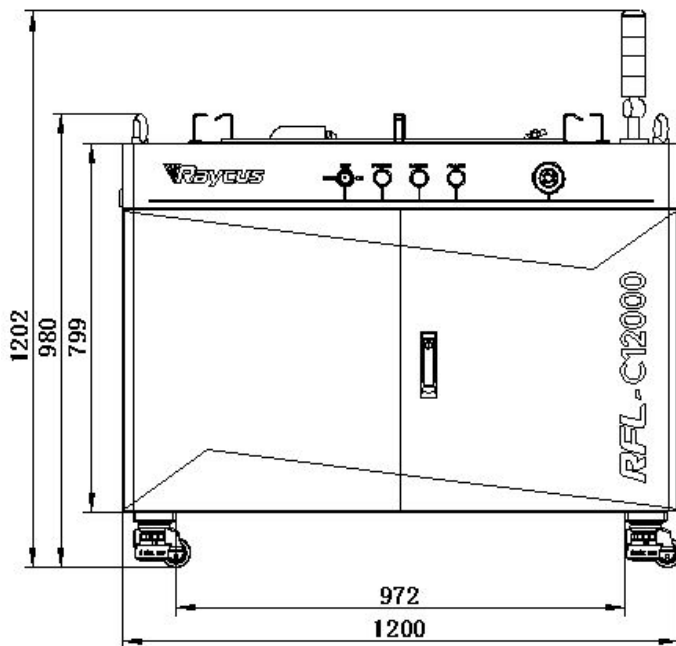
- » [P]erformance [L]evel [D]
- » Power redundancy
- » Profibus/Profinet/Ethernet/Devicenet
- » Anti high reflection
- » Intelligent self monitoring



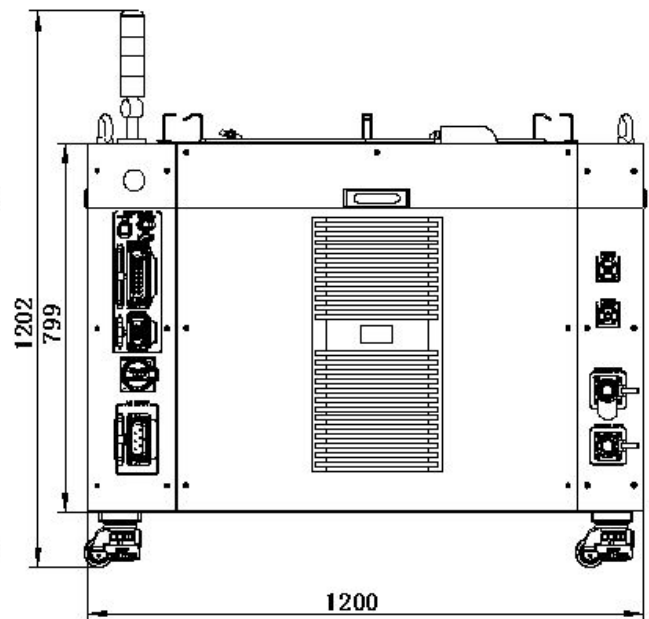
## TECHNICAL SPECIFICATIONS

Central wavelength	1075-1085 nm	Supply voltage	360 V - 510 V AC
Output power	12000 W	Operation mode	CW/Modulate
Power instability	<1.5 %	Control mode (custom)	BUS,Ethernet,RS232,AD
Range of power	10-100 %	Dimensions	1200x980x1160 mm
Repetition frequency	50-5000 Hz	Weight	<500 kg
Beam quality	<4 BPP	Operating temperature	10 - 40 °C
Terminal type	QD (custom)	Storage temperature	-10 - 60 °C
Fiber length	30 m (custom)	Humidity	< 70 %
Fiber core	100 µm (custom)	Cooling methode	Water

## RFL-C12000M-HP



(b.1) Front view



(b.2) Rear view

