

MHX-01-001
Number:MHX-01-001
Product name: fiber power box
Dimension:450*400*210mm



MHX-01-002
Number:MHX-01-002
Product name: fiber power box
Dimension:495*400*196mm



MHX-01-003
Number:MHX-01-003
Product name: fiber power box
Dimension:450*350*196mm



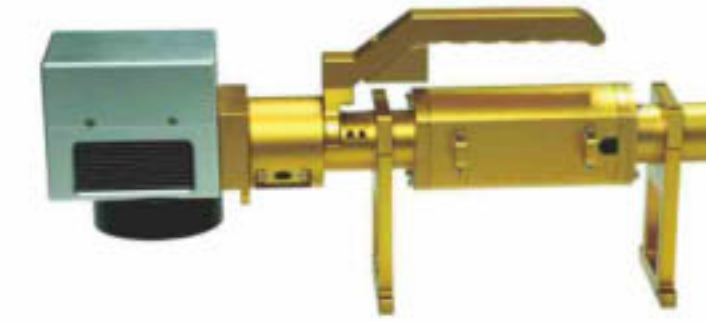
MHX-01-004
Number:MHX-01-004
Product name: fiber power box
Dimension:430*360*196mm



MHX-01-005
Number:MHX-01-005
Product name: fiber power box
Dimension:450*400*210mm



MHX-01-006
Number:MHX-01-006
Product name: fiber power box
Dimension:510*230*440mm



MHX-02-001
Number:MHX-02-001
Product name:hand-held beampath
Dimension:580*100*110mm



MHX-02-002
Number:MHX-02-002
Product name:45 degrees plate beampath
Dimension:368*65*150mm



MHX-02-003
Number:MHX-02-003
Product name:hand-held beampath
Dimension:405*70*105mm



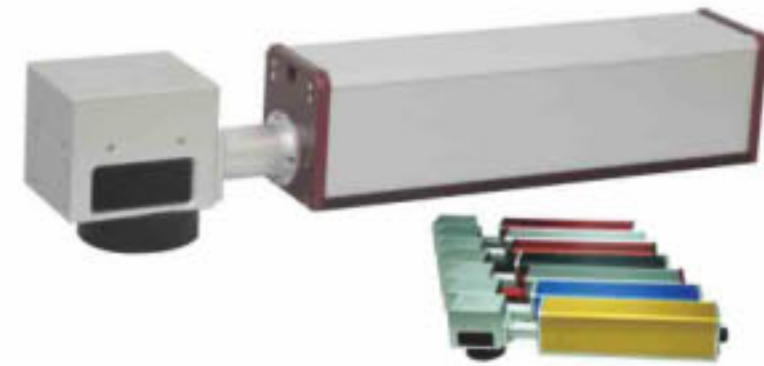
MHX-02-004
Number:MHX-02-004
Product name:beampath
Dimension:430*95*110mm



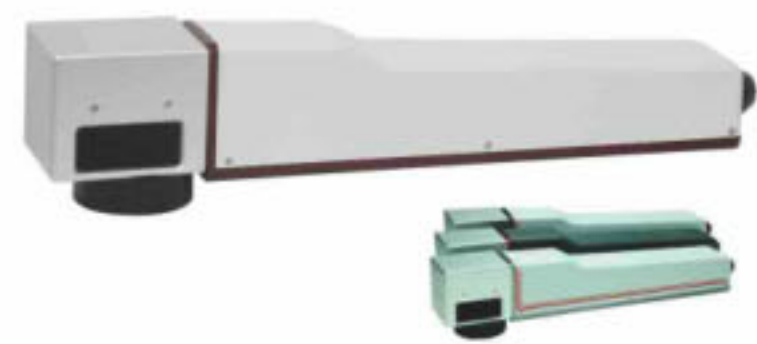
MHX-02-005
Number:MHX-02-005
Product name:beampath
Dimension:430*95*100mm



MHX-02-006
Number:MHX-02-006
Product name:beampath
Dimension:540*115*120mm



MHX-02-007
Number:MHX-02-007
Product name:beampath
500*100*100mm
Dimension:500*100*100mm



MHX-02-008
Number:MHX-02-008
Product name:beampath
480*80*105mm
Dimension:480*80*105mm



MHX-02-009
Number:MHX-02-009
Product name:beampath(rotary neck)
520*95*110mm
Dimension:520*95*110mm



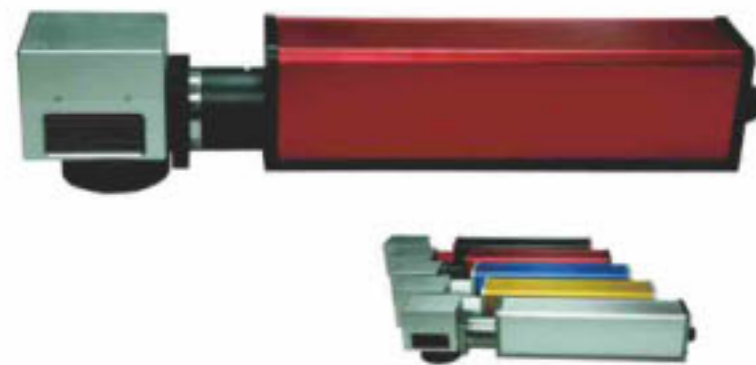
MHX-03-001
Number:MHX-03-001
Product name:Desk style marking cabinet
Remark:beampath and power box can be selected



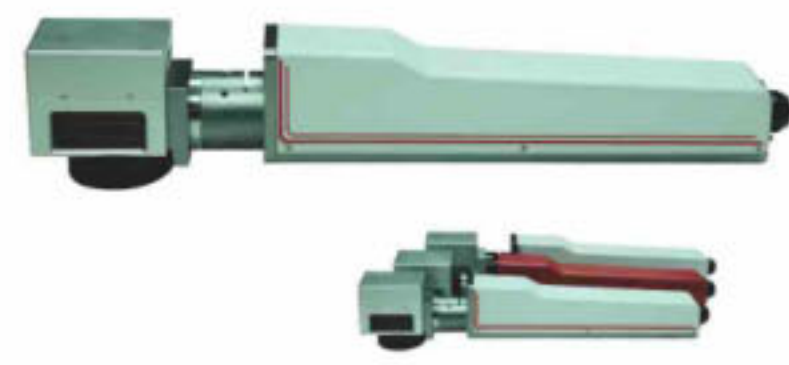
MHX-03-002
Number:MHX-03-002
Product name:Desk style marking cabinet
Remark:beampath and power box can be selected



MHX-03-003
Number:MHX-03-003
Product name:Desk style marking cabinet
Remark:beampath and power box can be selected



MHX-02-010
Number:MHX-02-010
Product name:beampath(rotary neck)
525*115*120mm
Dimension:525*115*120mm



MHX-02-011
Number:MHX-02-011
Product name:beampath(rotary neck)
560*80*105mm
Dimension:560*80*105mm



MHX-02-012
Number:MHX-02-012
Product name: Fiber laser beampath
(Sliding channel at top and bottom)
409.5*94.4*111mm
Dimension:409.5*94.4*111mm



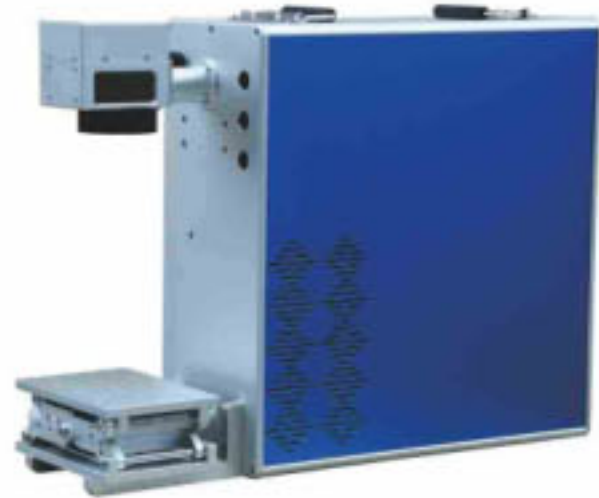
MHX-03-004
Number:MHX-03-004
Product name:Desk style marking cabinet
Remark:beampath and power box can be selected



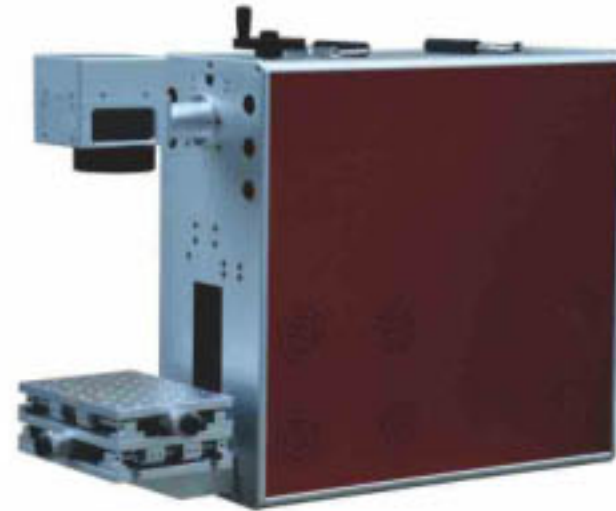
MHX-03-005
Number:MHX-03-005
Product name:portable hand-held fiber cabinet
645*595*210mm
Dimension:645*595*210mm



MHX-03-006
Number:MHX-03-006
Product name:Portable fiber laser cabinet
380*560*160mm
Dimension:380*560*160mm



MHX-03-007
Number:MHX-03-007
Product name:portable fiber cabinet
Dimension:700*210*530mm



MHX-03-008
Number:MHX-03-008
Product name:motor portable fiber cabinet
Dimension:720*210*510mm



MHX-03-009
Number:MHX-03-009
Product name:desk style fiber cabinet
Dimension:830*460*782mm



MHX-03-010
Number:MHX-03-010
Product name:Desk style fiber laser cabinet
Dimension:430*672*685mm



MHX-03-011
Number:MHX-03-011
Product name:Desk style fiber laser cabinet
(Motorized and manual can choose)
Dimension:430*760*736mm



MHX-03-012
Number:MHX-03-012
Product name:Desk style fiber laser cabinet
Dimension:485*550*672mm



MHX-04-001
Number:MHX-04-001
Product name:Metal plate cabinet
Cabinet Dimension:840*650*870mm
Column Size:120*60*620mm



MHX-04-002
Number:MHX-04-002
Product name:Marble plate cabinet
Cabinet Dimension:710*610*760mm
Column Size:120*60*620mm



MHX-04-003
Number:MHX-04-003
Product name:Fiber laser marking cabinet
Cabinet Dimension:710*750*1503mm
Column Size:120*60*620mm



MHX-04-004
Number:MHX-04-004
Product name:Metal plate cabinet
Cabinet Dimension:760*610*750mm
Column Size:120*60*620mm



MHX-04-005
Number:MHX-04-005
Product name:Metal plate cabinet
Cabinet Dimension:720*600*670mm
Column Size:120*60*620mm



MHX-04-006
Number:MHX-04-006
Product name:Fiber laser marking cabinet
Cabinet Dimension:600*750*723mm
Column Size:120*60*620mm



MHX-04-007
Number:MHX-04-007
Product name:Fiber laser marking cabinet
Cabinet Dimension:720*505*820mm
Column Size:120*60*620mm



MHX-04-008
Number:MHX-04-008
Product name:Fiber laser marking cabinet
Cabinet Dimension:650*730*730mm
Column Size:90*60*620mm



MHX-04-009
Number:MHX-04-009
Product name:Metal plate cabinet
Cabinet Dimension:760*600*750mm
Column Size:90*60*620mm
Mark:beam path can be selected



MHX-05-001
Number:MHX-05-001
Product name:Enclosed cabinet
Cabinet Dimension:982*650*1620mm
Mark:fiber laser and uv both can use



MHX-05-002
Number:MHX-05-002
Product name:Enclosed cabinet
Cabinet Dimension:1100*750*1712mm
Mark:fiber laser and uv both can use



MHX-04-010
Number:MHX-04-010
Product name:Metal plate cabinet
Cabinet Dimension:840*650*750mm
Column Size:120*60*620mm
Mark:beam path can be selected



MHX-04-011
Number:MHX-04-011
Product name:Metal plate cabinet
Cabinet Dimension:842*730*600mm
Column Size:120*60*620mm
Mark:beam path can be selected



MHX-04-012
Number:MHX-04-012
Product name:Multi-station lamps marking cabinet
Cabinet Dimension:830*880*770mm



MHX-05-003
Number:MHX-05-003
Product name:Enclosed cabinet
Cabinet Dimension:1200*660*1600mm
Mark:fiber laser and uv both can use



MHX-05-004
Number:MHX-05-004
Product name:Enclosed cabinet
Cabinet Dimension:1200*662*1600mm
Mark:fiber laser and uv both can use

MHX-05-005
Number:MHX-05-005
Product name:Enclosed cabinet
Cabinet Dimension:1205*740*1700mm
Mark:fiber laser and uv both can use



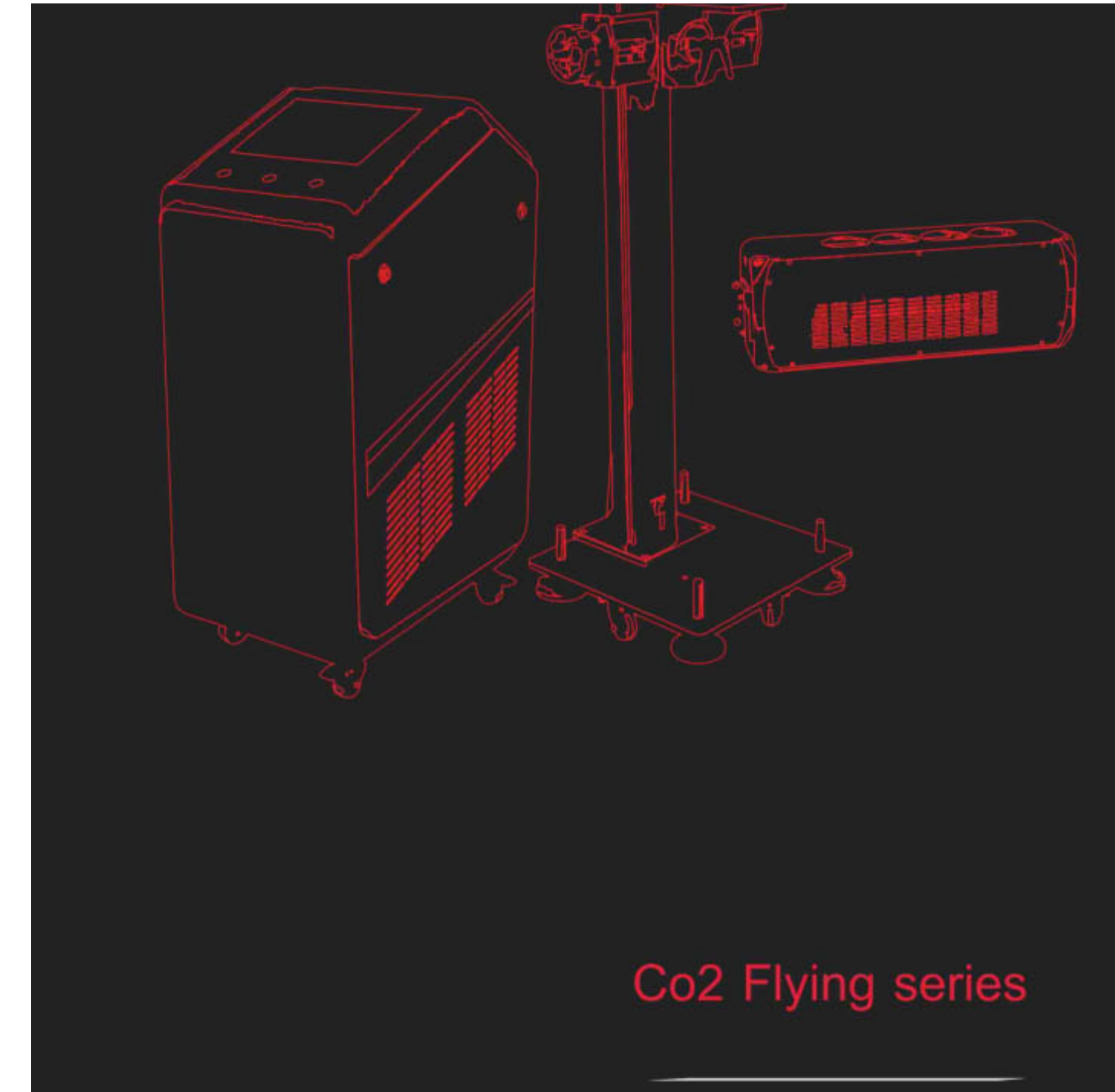
MHX-05-006
Number:MHX-05-006
Product name:Enclosed cabinet
(manual or motorized)
Cabinet Dimension:1100*790*1730mm
Mark:fiber laser and uv both can use



MHX-05-007
Number:MHX-05-007
Product name: Enclosed cabinet
(manual or motorized)
Cabinet Dimension:1011*650*1687mm
Mark:fiber laser and uv both can use



MHX-05-008
Number:MHX-05-008
Product name:CO2 dynamic marking cabinet
Cabinet size: 710*750*753mm
Cabinet Size: 170*170*630mm



Co2 Flying series



MHX-06-001
Number:MHX-06-001

Product name:Flying power cabinet (fiber laser and Co2 can use)

640*410*920mm
Dimension:640*410*920mm



MHX-06-002
Number:MHX-06-002

Product name:Flying power cabinet (fiber laser and Co2 can use)

641*410*925mm
Dimension:641*410*925mm



MHX-06-003
Number:MHX-06-003

Product name:Stainless steel cabinet (Fiber laser and CO2 can use)

640*410*920mm
Dimension:640*410*920mm



MHX-06-004
Number:MHX-06-004

Product name:Flying power cabinet (UV)

600*510*917mm
Dimension:600*510*917mm



MHX-06-005
Number:MHX-06-005

Product name:Flying power cabinet (UV)

600*490*874mm
Dimension:600*490*874mm



MHX-06-006
Number:MHX-06-006

Product name: Fiber laser cleaning cabinet

701*440*920mm
Dimension:701*440*920mm



MHX-06-007
Number:MHX-06-007

Product name:120 flying column

90*76*630mm
Column dimension: 90*76*630mm

130*170*(600-1000mm)
Profile body: 130*170*(600-1000mm)

610*380*165mm
Profile base dimension: 610*380*165mm



MHX-06-008
Number:MHX-06-008

Product name:90 flying column

170*70*630mm
Column dimension: 170*70*630mm

130*170*(600-1000mm)
Profile body: 130*170*(600-1000mm)

610*380*165mm
Profile base dimension: 610*380*165mm



MHX-06-009
Number:MHX-06-009

Product name:170 flying column

170*1350mm
Dimension: 170*1350mm

450*450mm
Profile base dimension: 450*450mm

600-1000mm
Column travel : 600-1000mm



MHX-06-010
Number:MHX-06-010

Product name:170 flying column

170*1350mm
Dimension: 170*1350mm

450*450mm
Steel plate dimension: 450*450mm

600-1000mm
Column travel: 600-1000mm

Remarks: with 170 before and back forwader



MHX-06-011
Number:MHX-06-011

Product name:120 flying column (with before and back forwader with rotation part)

120*1350mm
Dimension: 120*1350mm

450*450mm
Profile base dimension: 450*450mm

600-1000mm
Column travel : 600-1000mm

Remarks: with 120 before and back forwader



MHX-07-001A
Number:MHX-07-001A

Product name: Co2 Synrad V130W beampath
(Wind cool , sheet metal cover)
Dimension:70*153*176.5mm



MHX-07-002A
Number:MHX-07-002A

Product name:Co2 Coherent and Dawei 30W beampath
(Wind cool , sheet metal cover)
Dimension: 632*153*177mm



MHX-07-003
Number:MHX-07-003

Product name:Co2 Synrad 10W, CRD 10W beampath (Can put power supplier)
Dimension: 648*161*177mm



MHX-07-004
Number:MHX-07-004

Product name:Co2 Coherent 55W beampath (Wind cool)
Dimension: 734*161*177.5mm



MHX-07-005
Number:MHX-07-005

Product name:Co2 Synrad 60W beampath (Water cool)
Dimension: 930*240*225mm



MHX-07-006
Number:MHX-07-006

Product name:Co2 Synrad 100W beampath (Water cool)
Dimension: 888*160*200mm



MHX-07-007
Number:MHX-07-007

Product name:Co2 Power box
Dimension: 382*144*289mm



MHX-07-008
Number:MHX-07-008

Product name: UV Optowave , Inno 3W 5W beampath (Water cool)
Dimension: 552*161*180mm



MHX-07-009
Number:MHX-07-009

Product name: UV,Inngulaser 3w 5w(Water cool)
Dimension: 572*205*177mm



MHX-07-010
Number:MHX-07-010

Product name: UV ,RFH 3W , 5w(Water Cool)
Dimension: 722*245*177.5mm



MHX-07-001B
Number:MHX-07-001B

Product name: Co2 Synrad V130W beampath
(Wind cool Profile cover)
Dimension:702*161*179.5mm



MHX-07-002B
Number:MHX-07-002B

Product name:Co2 Coherent and Dawei 30W beampath
(Wind cool Profile cover)
Dimension: 632*161*179.5mm



MHX-07-001C
Number:MHX-07-001C

Product name: Co2 Synrad V130W beampath
(Wind cool , Oblique angle)
Dimension:702*146*180mm



MHX-07-002C
Number:MHX-07-002C

Product name:Co2 Coherent and Dawei 30W beampath
(Wind cool , Oblique angle)
Dimension: 632*146*180mm



MHX-07-001D
Number:MHX-07-001D

Product name: Co2 Synrad V130W beampath (Wind cool , Arc)
Dimension:702*146*180mm



MHX-07-002D
Number:MHX-07-002D

Product name:Co2 Coherent and Dawei 30W beampath
(Wind cool , Arc)
Dimension: 632*146*180mm



MHX-07-011A
Number:MHX-07-011A

Product name: UV Optowave , Inno 3W 5W beampath (Wind cool)
Dimension: 552*161*180mm



MHX-07-011B
Number:MHX-07-011B

Product name: UV Optowave , Inno 3W 5W beampath
(Wind cool , Oblique angle)
Dimension: 544*146*180mm



MHX-07-011C
Number:MHX-07-011C

Product name: UV Optowave , Inno 3W 5W beampath(Wind cool , Arc)
Dimension: 544*146*180mm



MHX-08-001
 Number:MHX-08-001
 Product name:CO2 three-dimensional profile frame
 Cabinet Dimension:940*400*1010mm
 Mark:beampath can be selected



MHX-08-002
 Number:MHX-08-002
 Product name:CO2 three-dimensional profile frame
 Cabinet Dimension:140*400*1330mm
 Mark:beampath can be selected



MHX-08-003
 Number:MHX-08-003
 Product name:CO2 three-dimensional profile frame
 Frame Size:870*400*1020mm
 Cabinet Size:660*550*760mm
 Mark: beampath can be selected



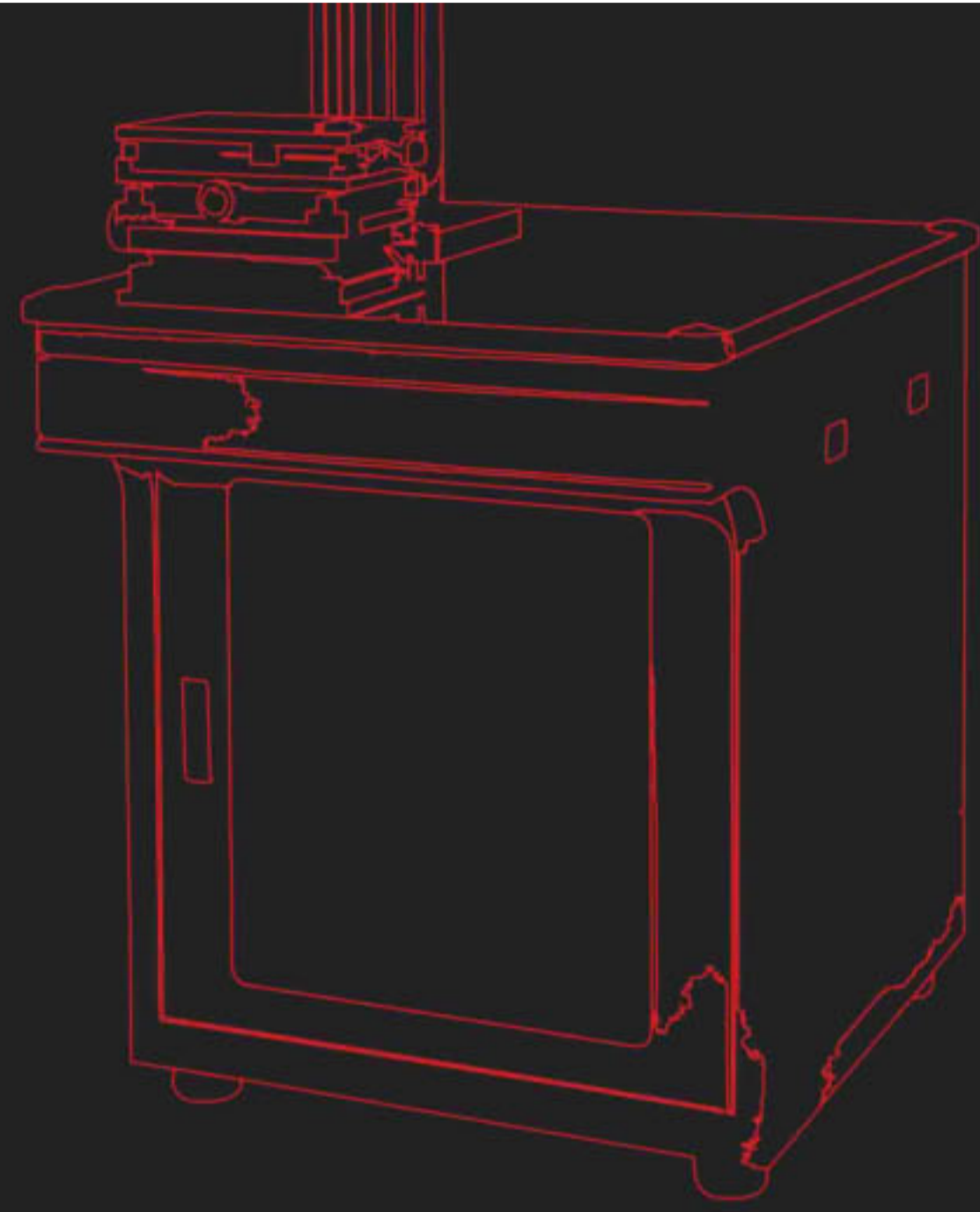
MHX-08-004
 Number:MHX-08-004
 Product name:CO2 marble cabinet
 Cabinet Size:740*600*730mm
 Column Size:170*70*630mm
 Table Size:220*300*90mm



MHX-08-005
 Number:MHX-08-005
 Product name:CO2 marble cabinet
 Cabinet Size:760*610*750mm
 Column Size:170*70*630mm



MHX-08-006
 Number:MHX-08-006
 Product name:CO2 marble cabinet
 Cabinet Size:1011*675*862mm
 Column Size:170*70*630mm



Semiconductor Series



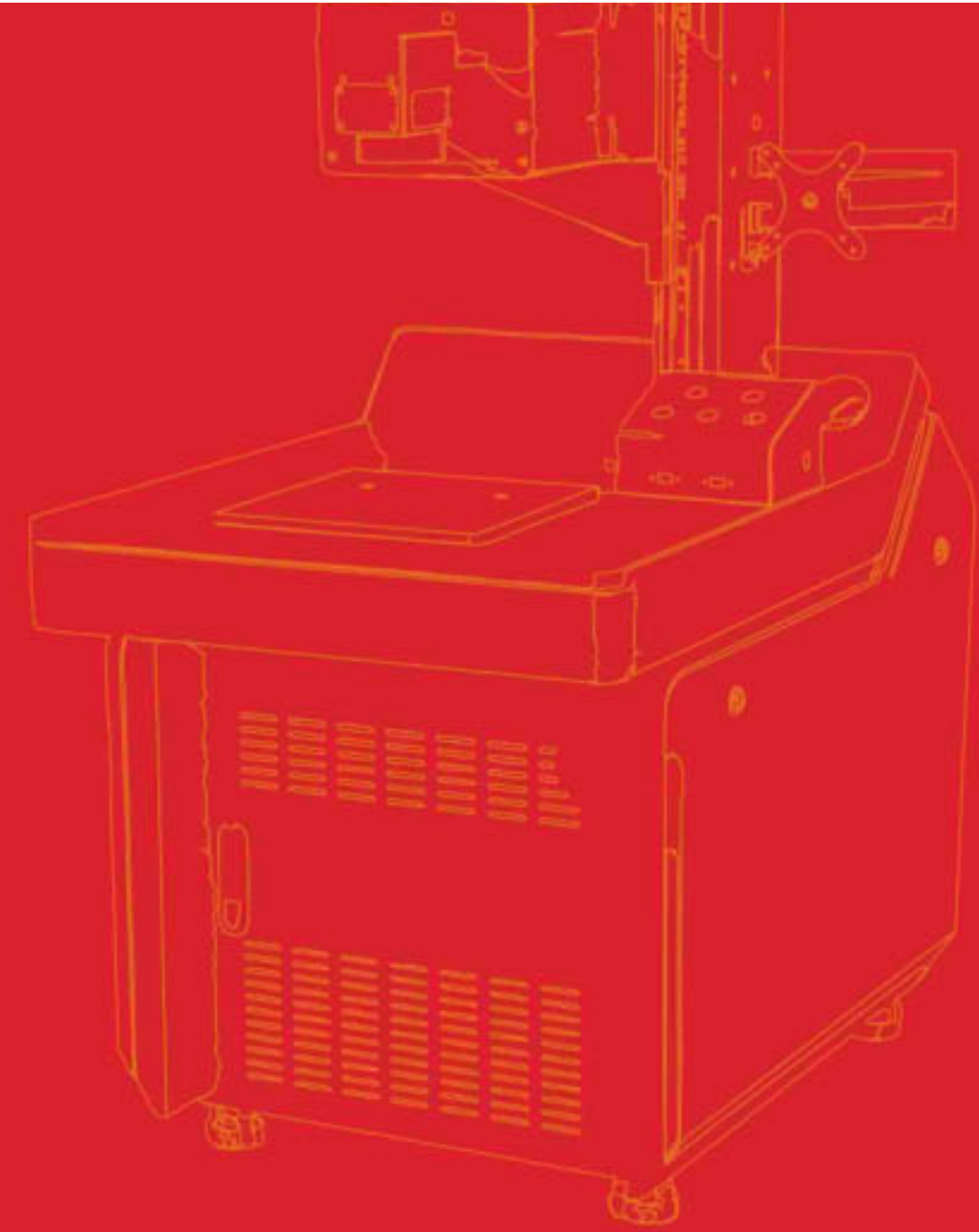
MHX-09-001
Number:MHX-09-001
Product name:Semiconductor cabinet
Cabinet Size:740*600*730mm
Column Size:170*170*630mm
Table Size:150*210mm
X=150mmY=90mm



MHX-09-002
Number:MHX-09-002
Product name:Semiconductor cabinet
Cabinet Size:860*850*780mm
Body height:200mm
Table Size:150*330mm
X=150mmY=90mm



MHX-09-003
Number:MHX-09-003
Product name:Semiconductor cabinet
Cabinet Size:740*600*730mm
Column Size:170*170*630mm
Table Size:150*210mm
X=150mmY=90mm



Ultraviolet
Laser Series



MHX-10-001
Number:MHX-10-001
Product name:Uv opening cabinet
Dimension:1120*780*770mm
1120*780*770mm
170*70*630mm
Column Size:170*70*630mm
Mark: 1-3W, 5-8W, 10-20W can be selected



MHX-10-002
Number:MHX-10-002
Product name:Uv opening cabinet
Dimension:805*600*745mm
805*600*745mm
170*70*550mm
Column Size:170*70*550mm
Mark: 1-3W, 5-8W, 10-20W can be selected



MHX-10-003
Number:MHX-10-003
Product name:Uv opening cabinet
Dimension:897*675*666mm
897*675*666mm
170*70*630mm
Column Size:170*70*630mm
Mark: 1-3W, 5-8W, 10-20W can be selected



MHX-10-004
Number:MHX-10-004
Product name:Uv opening cabinet
Dimension:1011*675*862mm
1011*675*862mm
170*70*630mm
Column Size:170*70*630mm
Mark: 1-3W, 5-8W, 10-20W can be selected



MHX-10-005
Number:MHX-10-005
Product name:UV semi-closed marking cabinet
Cabinet size: 675*970*866mm
Cover size: 500*517*750mm
Column size: 170*70*550mm
Remark: 1-3w, 5-8w, 10-20w can be selected



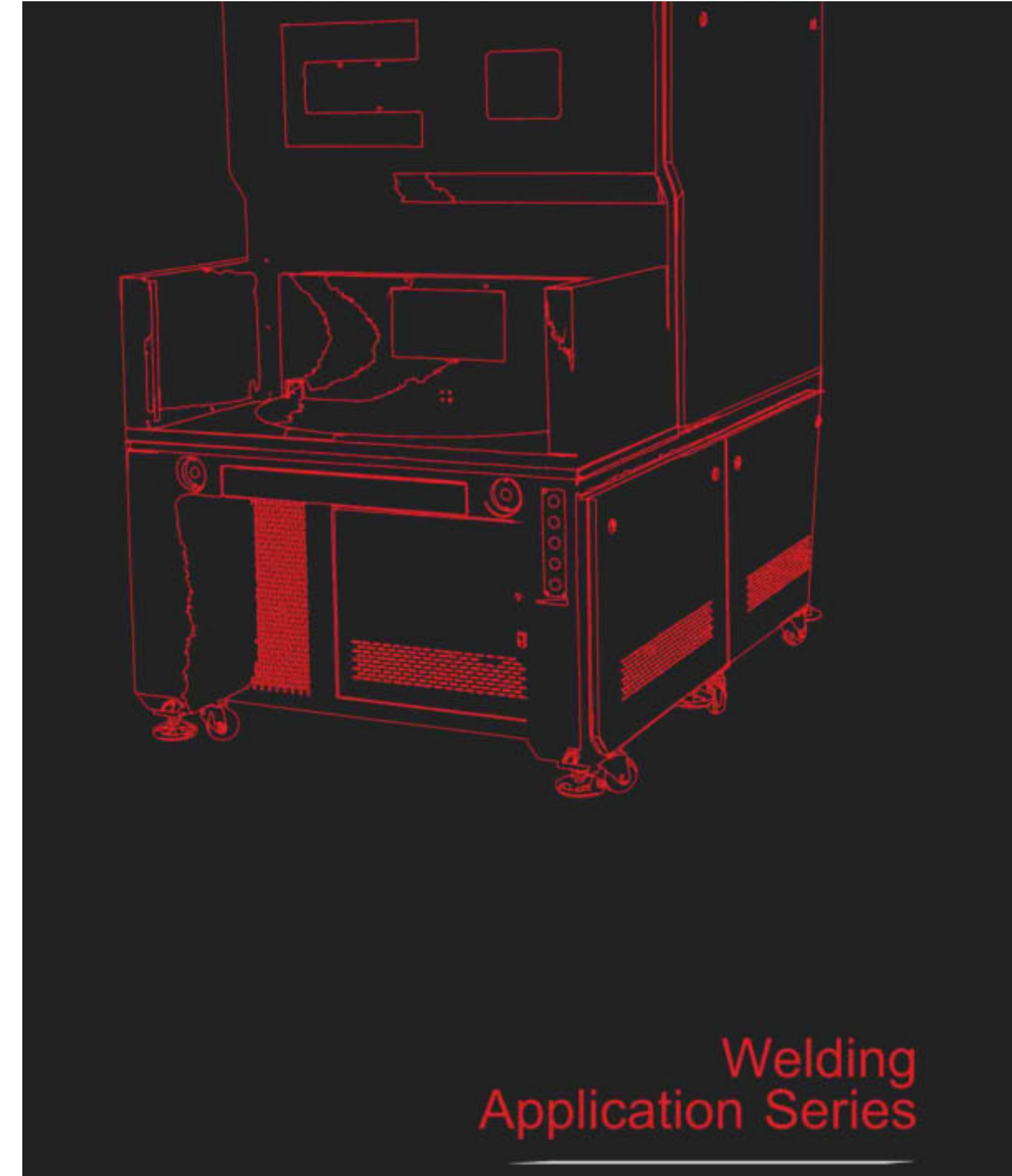
MHX-10-006
Number:MHX-10-006
Product name:UV semi-closed marking cabinet
Cabinet size: 675*970*866mm
Cover size: 500*517*750mm
Column size: 170*70*550mm
Remark: 1-3w, 5-8w, 10-20w can be selected



MHX-10-007
Number:MHX-10-007
Product name:Multi-station cabinet
Dimension:1320*760*1720mm
Mark: Application for fiber,Uv and CO2



MHX-10-008
Number:MHX-10-008
Product name:Multi-station cabinet
Dimension:1505*812*1713mm
Mark: Application for fiber,Uv and CO2



Welding
Application Series



MHX-11-001
Number:MHX-11-001

Product name:Jewelry welding machine
980*570*1200mm
Dimension:980*570*1200mm



MHX-11-002
Number:MHX-11-002

Product name:Jewelry welding machine
(can install cooling-water machine)
980*570*1200mm
Dimension:980*570*1200mm



MHX-11-003
Number:MHX-11-003

Product name:Single lamp Jewelry
1430*700*650mm
Dimension:1430*700*650mm



MHX-11-007
Number:MHX-11-007

Product name:Arms welding body
800*800*1600mm
Dimension: 800*800*1600mm
700mm
z axis travel: 700mm

Remarks: can choose single or double lamp,
X,Y travel is 200*200mm



MHX-11-008
Number:MHX-11-008

Product name:Arms welding body
800*800*1600mm
Dimension: 800*800*1600mm
700mm
z axis travel: 700mm

Remarks: can choose single or double lamp,
X,Y travel is 200*200mm



MHX-11-004
Number:MHX-11-004

Product name:Double lamp welding machine
1500*700*850mm
Dimension:1500*700*850mm

Remarks:X,Y can choose travel



MHX-11-005
Number:MHX-11-005

Product name:Double lamp welding machine
1500*700*850mm
Dimension:1500*700*850mm

Remarks:X,Y can choose travel



MHX-11-006
Number:MHX-11-006

Product name:Double lamp welding machine
1600*700*1350mm
Dimension:1600*700*1350mm

Remarks:X,Y can choose travel



MHX-11-009
Number:MHX-11-009

Product name:mold welding combination
770*550*730mm
The main cabinet dimension:770*550*730mm
540*440*650mm
workstation dimension:540*440*650mm

Remarks: Single lamp and double lamp
can choose



MHX-11-010
Number:MHX-11-010

Product name:Arms mold welding combination
800*800*1600mm
Dimension:800*800*1600mm
700*550*950mm
Cabinet Dimension:700*550*950mm
540*440*650mm
workstation dimension:540*440*650mm
X=250mm Y=150mm Z=300mm
Workstation Travel:X=250mm Y=150mm Z=300mm

Remarks: can choose single or double lamp,
X,Y travel is 200*200mm



MHX-11-011
Number:MHX-11-011
Product name:Single lamp Transmission Cabinet
Dimension: 1200*880*600mm



MHX-11-012
Number:MHX-11-012
Product name:double lamp transmission welding cabinet
Dimension: 1030*640*880mm



MHX-11-013
Number:MHX-11-013
Product name:High speed spectral laser welding cabinet
Cabinet size: 1100*600*880mm



MHX-11-014
Number:MHX-11-014
Product name: Enclosed cabinet
Cover size: H1=1150mm
H2=700mm
Doo's travel: H2=700mm
Cabinet size: 830*880/880*1000mm
880*1350/1080*1000mm
1080*1350/1280*1350mm



MHX-11-015
Number:MHX-11-015
Product name: Enclosed cabinet
Cover size: H1=1150mm
H2=700mm
Doo's travel: H2=700mm
Cabinet size: 880*1200/1080*1200mm



MHX-11-016
Number:MHX-11-016
Product name: Double Slit welding cabinet (Pneumatic)
Cabinet size: 1650*1218*1833mm

MHX-11-017
Number:MHX-11-017
Product name:Multi work welding cabinet
600 circle plate cabinet dimension :1419*918*1857mm
900 circle plate cabinet dimension :1700*1118*1758mm





MHX-11-018
Number:MHX-11-018
Product name:Superposition welding cabinet
Cabinet size: 680*1000*700mm
880*1000*700mm
1080*1000*700mm
1580*1300*700mm
1780*1300*700mm



MHX-11-019
Number:MHX-11-019
Product name:Fiber laser welding cabinet
Cabinet size: 1280*1000*700mm



MHX-11-020
Number:MHX-11-020
Product name:Cantilever welding cabinet
Cabinet size: 830*1200*700/830*1600*700mm
1580*1300*700/1780*1300*700mm
Cabinet size: 830*1200*700/830*1600*700
1580*1300*700/1780*1300*700mm



MHX-11-021
Number:MHX-11-021
Product name:Gantry welding cabinet(single Driver)
Cabinet size: 880*1000mm/1080*1350mm



MHX-11-022
Number:MHX-11-022
Product name:Gantry welding cabinet (Double driver)
Cabinet size: 1080*1000*700mm
1080*1350*700/1280*1350*700mm
1580*1300*700/1780*1300*700mm



MHX-11-023
Number:MHX-11-023
Product name:Bridge Gantry welding cabinet
Cabinet size: 880*1200/1080*1200mm
XY: 600*600/800*600/1000*600mm



MHX-11-024
Number:MHX-11-024
Product name:New cantilever welding cabinet
1080*1000*732mm
Cabinet size:1080*1000*732mm



MHX-11-025
Number:MHX-11-025
Product name:Gantry double drive welding table
1580*1300*732mm
Cabinet size: 1580*1300*732mm
Remarks: X1000MM*Y800MM*Z400MM



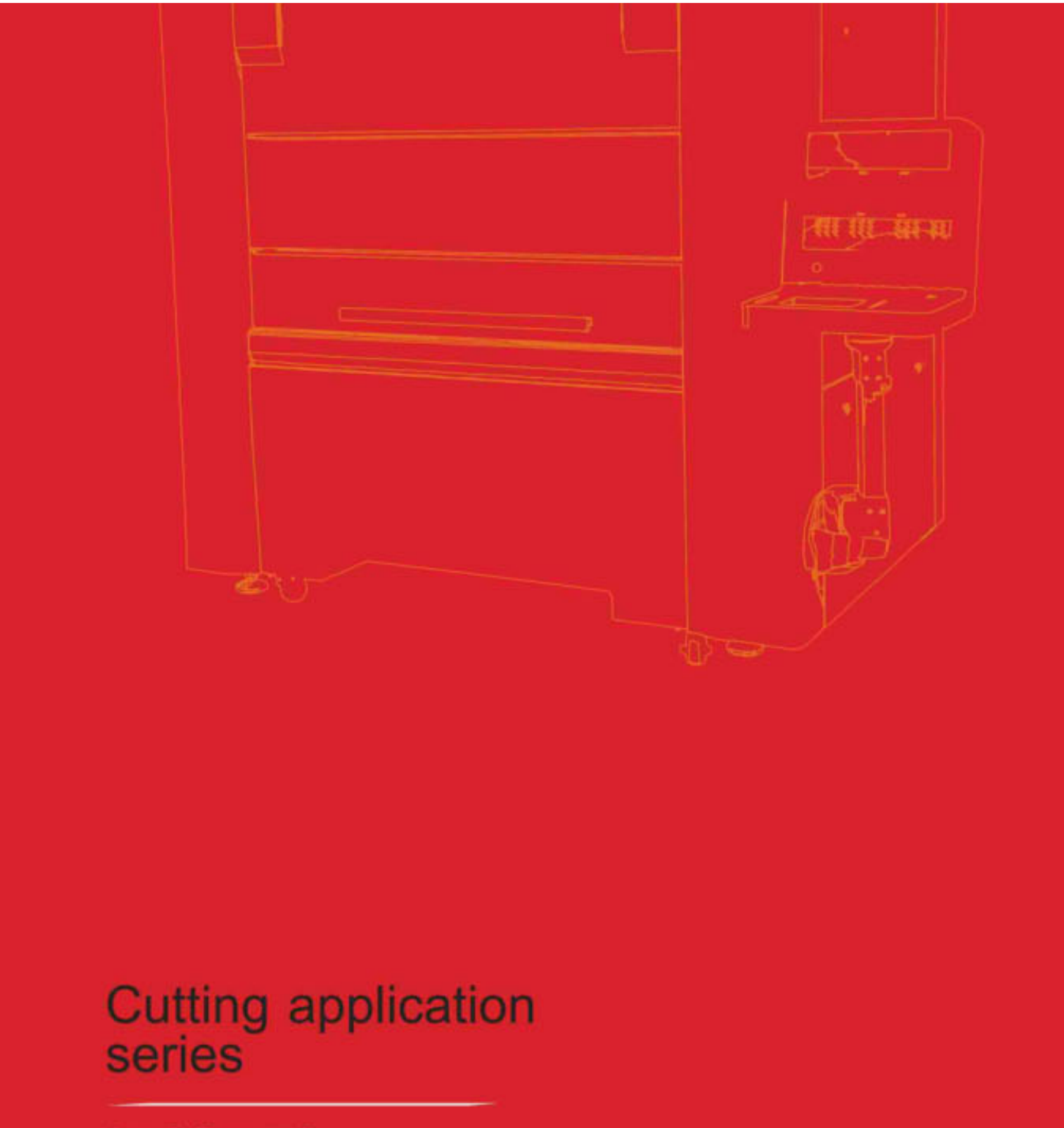
MHX-11-026
Number:MHX-11-026
Product name:Fixed gantry double station welding cabinet
1080*1000*697.943mm
Cabinet size: 1080*1000*697.943mm



MHX-11-027
Number:MHX-11-027
Product name:DD motor double position welding machine cabinet
1136*1600*2159mm
Cabinet size: 1136*1600*2159mm



MHX-11-028
Number:MHX-11-028
Product name:Handheld welding cabinet
1200*1106*600mm
Cabinet size: 1200*1106*600mm
Remarks: Built-in chiller, suitable for 1000W-2000W chiller



Cutting application series



MHX-12-001
Number: MHX-12-001
Product name: 600*600 marble plate Circle cutting machine
Dimension: 1300*1795*1954mm
Cutting precision: ≤ 0.025



MHX-12-002
Number: MHX-12-002
Product name: 600*600 marble plate cutting machine (door open at broadside)
Dimension: 1800*1515*1830mm
Cutting precision: ≤ 0.025



MHX-12-003
Number: MHX-12-003
Product name: 600*600 Linear motor cutting machine (door open at broadside)
Dimension: 1800X1250X1698mm
Cutting precision: ≤ 0.03



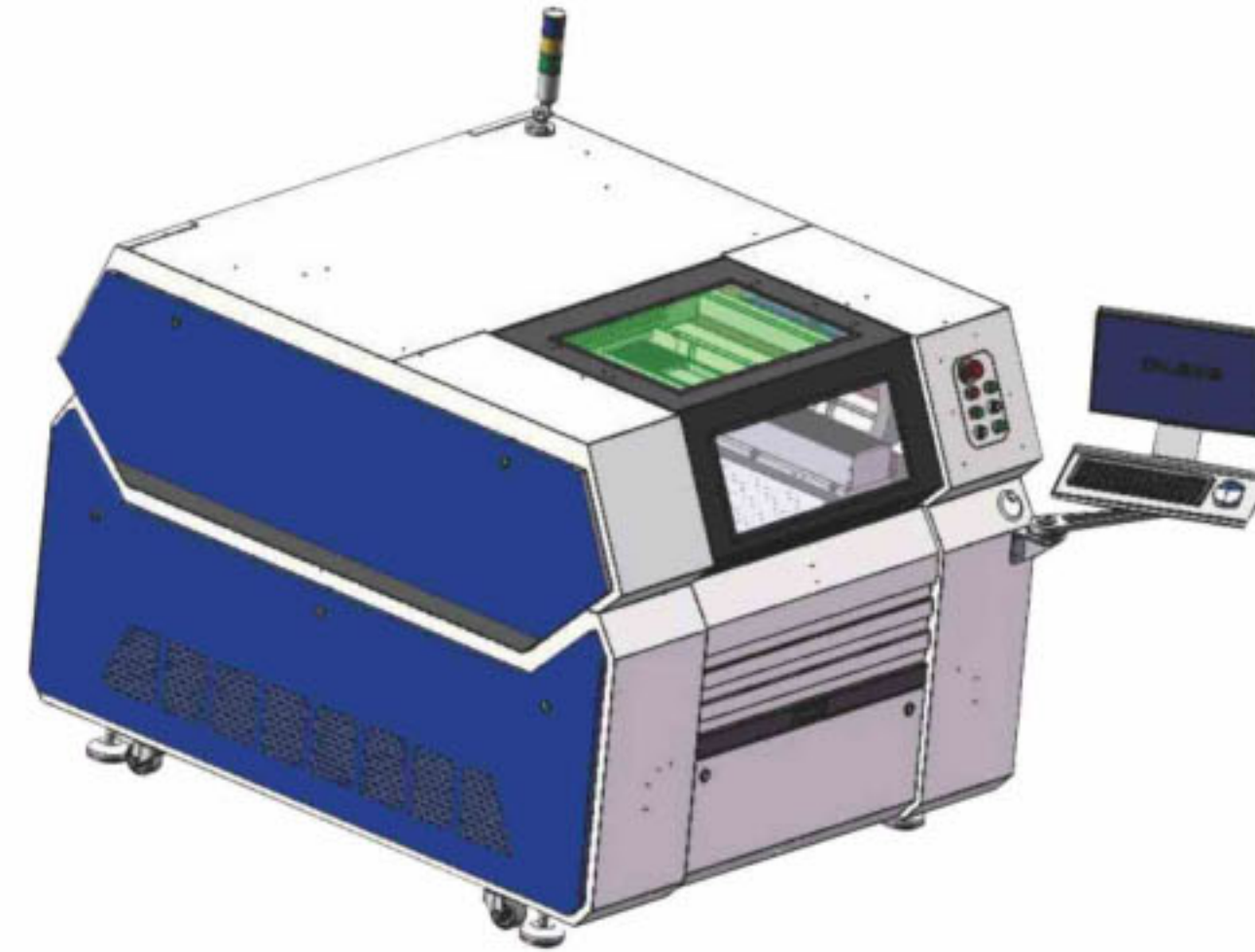
MHX-12-004
Number: MHX-12-004
Product name: 650*1300 Steel plate cutting machine
Dimension: 2000X1500X1955mm
Cutting precision: $\leq 0.03-0.05$

MHX-12-005
Number: MHX-12-005
Product name: 900*1300 Steel plate cutting machine
Dimension: 1900X1680X960mm
Cutting precision: $\leq 0.03-0.05$





MHX-12-006
Number: MHX-12-006
Product name: 600*600 Co2 cutting machine
Dimension: 1300X1623X1262mm
Cutting precision: ≤ 0.025
Remark: Can use Synrad 30W, 60W Coherent 30W and 55W laser source



MHX-12-008
Number: MHX-12-008
Product name: 600*600 Co2 cutting machine
Dimension: 1434X1710X1250mm
Cutting precision: ≤ 0.025
Remark: Can use Synrad 30W, 60W Coherent 30W and 55W Laser source



MHX-12-007
Number: MHX-12-007
Product name: 600*600 Co2 cutting machine
Dimension: 1330X1550X1191mm
Cutting precision: ≤ 0.025
Remark: Can use Synrad 30W, 60W Coherent 30W and 55W laser source

MHX-12-009
Number: MHX-12-009
Product name: 900*600mm fiber cutting cabinet
Dimension: 2000X1979X1500mm
Cutting precision: ≤ 0.025





Accessories Series



MHX-13-001
Number:MHX-13-001

Product name:single dimension workstation 150*210
Zmin=85mm Zmax=208mm
Dimension:Zmin=85mm Zmax=208mm



MHX-13-002
Number:MHX-13-002

Product name:Three dimension workstation
150*210mm Z axis=110mm
X=50mm Y=25mm
Dimension:150*210mm Z axis=110mm
X=50mm Y=25mm



MHX-13-003
Number:MHX-13-003

Product name:220*300 two deminston workstation
X=150mm Y=90mm
Dimension:X=150mm Y=90mm



MHX-13-004
Number:MHX-13-004

Product name:Convulsions cover
400*400mm
Dimension:Scope of convulsions cover is 400*400mm



MHX-13-005
Number:MHX-13-005

Product name:90 column
75*90*550mm
Dimension:75*90*550mm
300mm
z axis travel: 300mm



MHX-13-006
Number:MHX-13-006

Product name:120 column
70*120* (550,700,850) mm
Dimension:70*120* (550,700,850) mm
300mm 450mm 600mm
z axis travel: 300mm 450mm 600mm

way: motor or manual



MHX-13-007
Number:MHX-13-007

Product name:120 column
70*120* (550,700,850) mm
Dimension:70*120* (550,700,850) mm
300mm 450mm 600mm
z axis travel: 300mm 450mm 600mm

way: motor or manual



MHX-13-008
Number:MHX-13-008

Product name:170 column
75*170* (550,700mm)
Dimension:75*170* (550,700mm)
300mm 450mm 600mm
z axis travel: 300mm 450mm 600mm

way: motor or manual



MHX-13-009
Number:MHX-13-009
Product name:120mm motorized Z axis
Dimension: 70*120* (630/780/930) mm
Plate dimension: 300mm 450mm 600mm



MHX-13-010
Number:MHX-13-010
Product name:170mm motorized Z axis
Dimension: 70*170* (630/780/930) mm
Plate dimension: 300mm 450mm 600mm



MHX-13-011
Number:MHX-13-011
Product name:120 desk column
Dimension: 120*60*630mm
Plate dimension: 600*305*12mm



MHX-13-015
Number:MHX-13-015
Product name:linear guide table
straightness: $\leq 0.03\text{mm}$
Z axis travel: 300-500mm
Positional accuracy: $\leq 0.012\text{mm}$



MHX-13-016
Number:MHX-13-016
Product name:Precision Linear guide table
straightness: $\leq 0.03\text{mm}$
Z axis travel: 300-500mm
Z axis travel: 300-500mm



MHX-13-017
Number:MHX-13-017
Product name:linear guide table
Column travel: 300mm
Remarks: motor or manual



MHX-13-012
Number:MHX-13-012
Product name:90 desk column
Body dimension: 90*76*630mm
Plate dimension: 600*305*12mm



MHX-13-013
Number:MHX-13-013
Product name:120 desk column
Dimension: 120*60*630mm
Plate dimension: 600*305*12mm



MHX-13-014
Number:MHX-13-014
Product name:170 desk column
Dimension: 170*70*630mm
Plate dimension: 600*305*12mm



MHX-13-018
Number:MHX-13-018
Product name:three dimension separated workstation
Dimension: 450*450*700mm
Workstation dimension: 250*330mm
Column travel: 300mm



MHX-13-019
Number:MHX-13-019
Product name:Mold welding workstation
Dimension: 440*540*650mm



MHX-13-020
Number:MHX-13-020
Product name:120 profile precision table
Dimension: L*140*110mm
Precisionlevel: c3, c4, c7
Travel: 100-1000mm



MHX-13-021
Number:MHX-13-021
Product name:150 profile precision table
Dimension: L*170*90mm
Precisionlevel: c3, c4, c7
Travel: 100-1000mm



MHX-13-024
Number:MHX-13-024
Product Name : 90 profile precision table
Dimension : L*90*100mm
precision level : C3, C4, C7
Travel : 100-600mm



MHX-13-027
Number:MHX-13-027
Product Name : desk style gantry precision table
precision level : C3, C4, C7
X=400mm Y=600mm Z=200mm
Travel : X=400mm Y=600mm Z=200mm



MHX-13-022
Number:MHX-13-022
Product name:150 circle guide table
Dimension: L*170*90mm
Precisionlevel: 0.05mm-0.1mm
Travel: 100-600mm



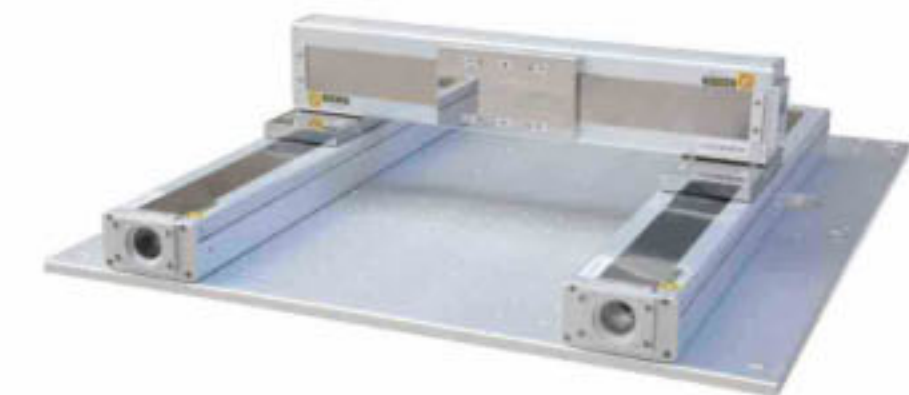
MHX-13-023
Number:MHX-13-023
Product name:150 cast aluminum precision table
Dimension: L*155*70mm
Precisionlevel: c3, c4, c7
Travel: 300-1500mm



MHX-13-025
Number:MHX-13-025
Product Name : 220 profile precision table
Dimension : L*220*120mm
precision level : C3, C4, C7
Travel : 400-1800mm



MHX-13-026
Number:MHX-13-026
Product Name : Beam Module
Dimension:(1040/1240/1440)*250*209mm
Travel : 600/800/1000/1100/1300/1500mm
Precision : C7 C4



MHX-13-028
Number:MHX-13-028
Product Name : Module can prevent dust
Dimension:Width=120mm
Travel : 200/300/400/600mm
Precision : C7 C4



MHX-13-029A
Number:MHX-13-029A
D65
Product Name : D65 rotary
precision round beating : $\leq 0.05\text{mm}$



MHX-13-029B
Number:MHX-13-029B
D65
Product Name : High speed D65 rotary
precision round beating : $\leq 0.05\text{mm}$



MHX-13-030
Number:MHX-13-030
D80-D100
Product Name : D80-D100 rotary
precision round beating : $\leq 0.05\text{mm}$



MHX-13-031
Number:MHX-13-031
D80-D160
Product Name : D80-D160 synchronous belt rotary
precision round beating : $\leq 0.05\text{mm}$



MHX-13-036
Number:MHX-13-036
(60B,85B,110B,135B,200B)
Product Name : Hollow rotary (60B,85B,110B,135B,200B)



MHX-13-039
Number:MHX-13-039
Product Name : mold welding head



MHX-13-042
Number:MHX-13-042
Product Name : hand-held optical fiber transmission laser welding



MHX-13-032
Number:MHX-13-032
D80-D125
Product Name : D80-D125 synchronous belt rotary
precision round beating : $\leq 0.1\text{mm}$



MHX-13-033
Number:MHX-13-033
D80-D160
Product Name : D80-D160 worm gear rotary
precision round beating : $\leq 0.1\text{mm}$



MHX-13-034
Number:MHX-13-034
D160-D200
Product Name : D160-D200 direct rotary
precision round beating : $\leq 0.1\text{mm}$



MHX-13-035
Number:MHX-13-035
Product Name : rotation plate
rotation accuracy : $\leq 0.5^\circ$



MHX-13-037
Number:MHX-13-037
Product Name : Fixture



MHX-13-038
Number:MHX-13-038
Product Name : Eight position single head rotary / Four position double head rotary
Dimension : 460*460*200mm



MHX-13-040
Number:MHX-13-040
Product Name : electric welding head



MHX-13-041
Number:MHX-13-041
Product Name : optical fiber transmission welding head



MHX-13-043
Number:MHX-13-043
Product Name : double lamp ceramic cavity



MHX-13-044
Number:MHX-13-044
Product Name : single lamp ceramic cavity



MHX-13-045
Number:MHX-13-045

Product Name : precision holes adjustment



MHX-13-049
Number:MHX-13-049

Product Name : 45 degree of reflection adjustment



MHX-13-053
Number:MHX-13-053

Product Name : Precision lens (all -trans or half reaction)



MHX-13-046
Number:MHX-13-046

Product Name : precision two dimensional frame adjustment



MHX-13-050
Number:MHX-13-050

Product Name : precision two-dimensional water adjustment



MHX-13-047
Number:MHX-13-047

Product Name : optical fiber coupling frame



MHX-13-051
Number:MHX-13-051

Product Name : Krypton lamp holder



MHX-13-048
Number:MHX-13-048

Product Name : precision four dimension adjustment



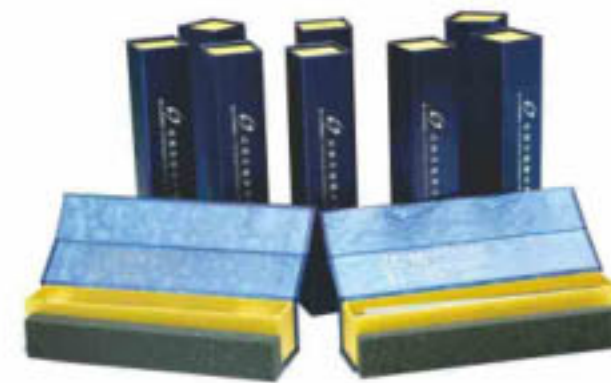
MHX-13-052
Number:MHX-13-052

Product Name : rod set



MHX-13-054
Number:MHX-13-054

Product Name : double lamp ceramic core



MHX-13-055
Number:MHX-13-055

Product Name : crystal



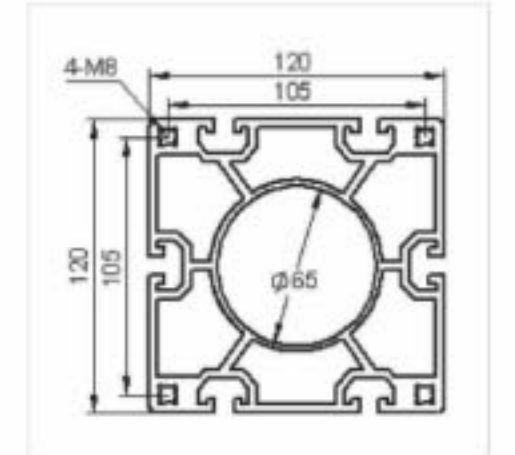
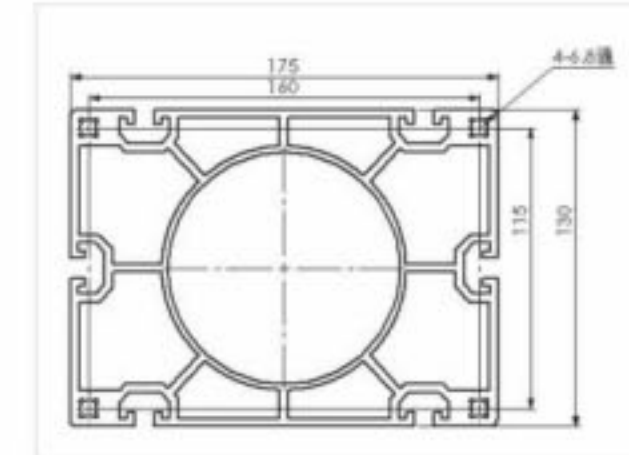
MHX-13-056
Number:MHX-13-056

Product Name : Small beam profile



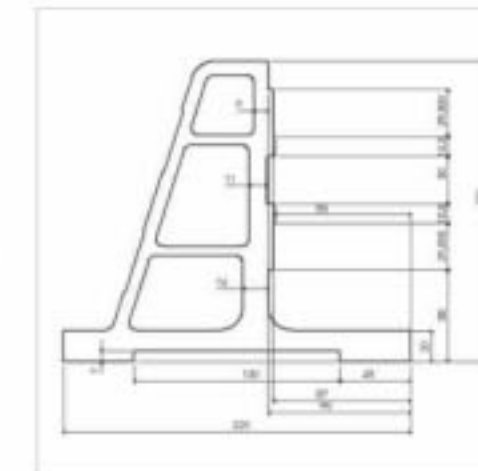
MHX-13-057
Number:MHX-13-057

Product Name : 130*170 Profile



MHX-13-058
Number:MHX-13-058

Product Name : Big beam profile



MHX-13-059
Number:MHX-13-059

Product Name : 45 degree connection neck



MHX-13-060
Number:MHX-13-060

Product Name : bearing pedestal



MHX-13-061
Number:MHX-13-061
Product Name : Synchronous belt vertical rotation
300*100*218mm
Dimension:300*100*218mm



MHX-13-062
Number:MHX-13-062
Product Name : Precision hollow reducer rotation (through the tube)
319.4*180*172mm
Dimension:319.4*180*172mm

MHX-13-063
Number:MHX-13-063
Product Name : Directly connected multi-angle positioner
263.5*150*165mm
Dimension:263.5*150*165mm



MHX-13-064
Number:MHX-13-064
Product Name : Precision hollow reducer displacement fixture
472.4*180*193mm
Dimension:472.4*180*193mm

