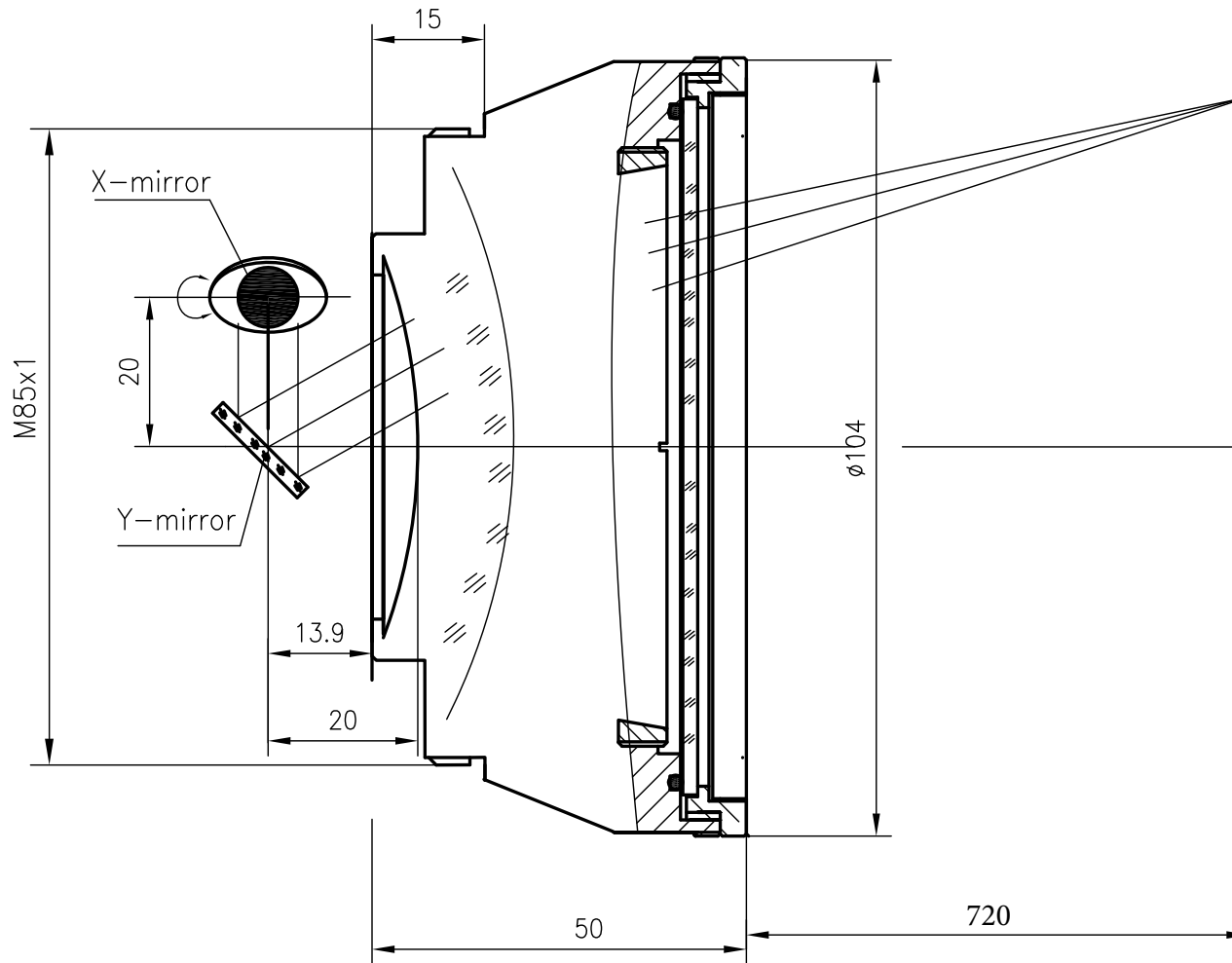


F-Theta f=650mm

Drawing No. SH-1064-450-650-20



Specification

EFL	650mm
WD	720mm
Wavelength	$\lambda = 1064\text{nm}$
scan angle	$\pm 25^\circ$
max scan field	450mm x 450mm
Entrance beam diameter ϕ	20mm
Center point diameter ($1/e^2$)	65 μm
Edge point diameter ($1/e^2$)	67 μm
mirror distance $m1$	20
mirror distance $m2$	20
Transmission >	97%
Thread	M85x1
With protective wind w	Yes