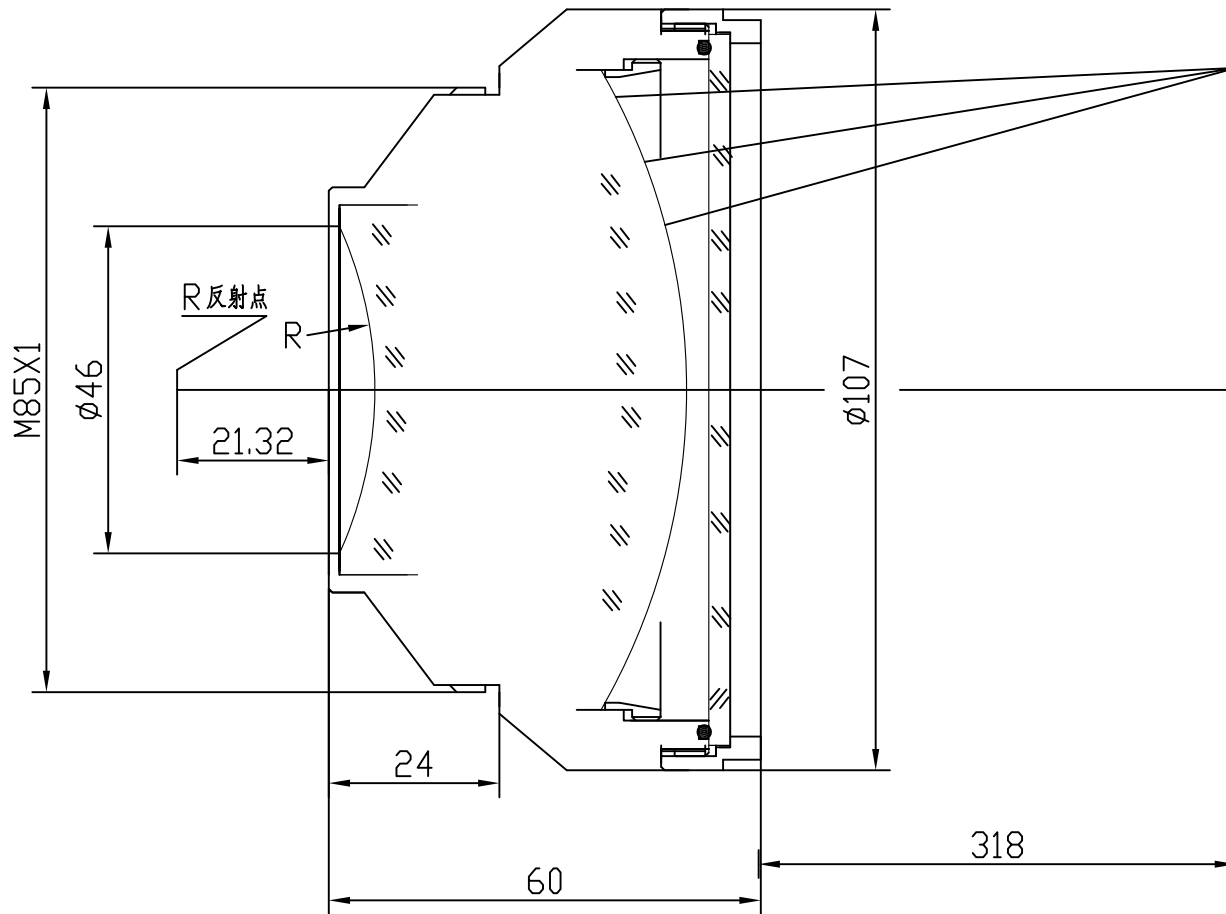


F-Theta f=254mm D20mm

Drawing No. SH-1064-175-254-20-FS



Specification

EFL	254mm
S	318mm
Wavelength	$\lambda = 1064\text{nm}$
scan angle	$\pm 28^\circ$
max scan field	175mm x 175mm
Entrance beam diameter ϕ	20mm
Center point diameter ($1/e^2$)	25 μm
Edge point diameter ($1/e^2$)	26 μm
mirror distance m1	24-30
mirror distance m2	18
Transmission >	99.2%
Thread	M85x1
With protective window	yes