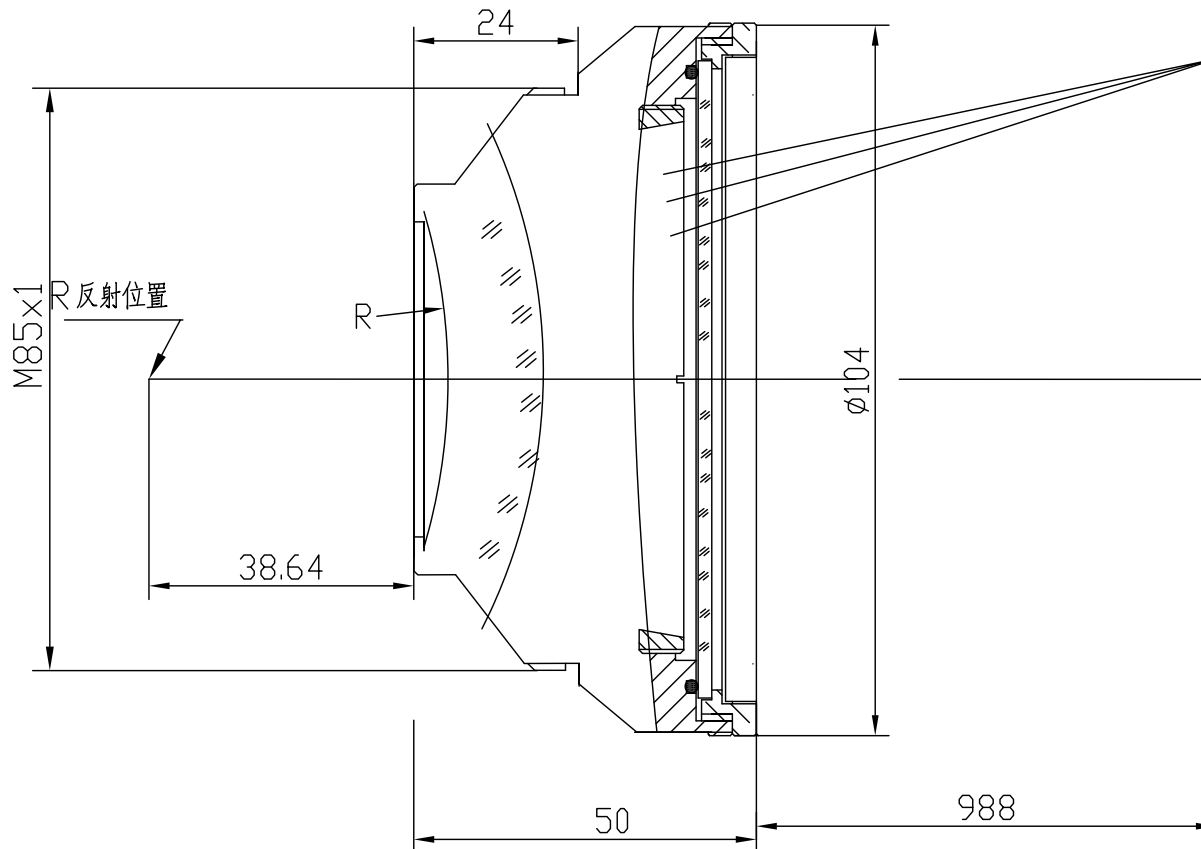


# F-Theta f=900mm D20mm Drawing

## No. SH-1064-600-900-20-FS



### Specification

EFL	900mm
S	988mm
Wavelength	$\lambda = 1064\text{nm}$
scan angle	$\pm 25^\circ$
max scan field	600mm x 600mm
Entrance beam diameter $\phi$	20mm
Center point diameter ( $1/e^2$ )	88 $\mu\text{m}$
Edge point diameter ( $1/e^2$ )	90 $\mu\text{m}$
mirror distance m1	24-30
mirror distance m2	18
Transmission >	97%
Thread	M85x1
With protective window	yes