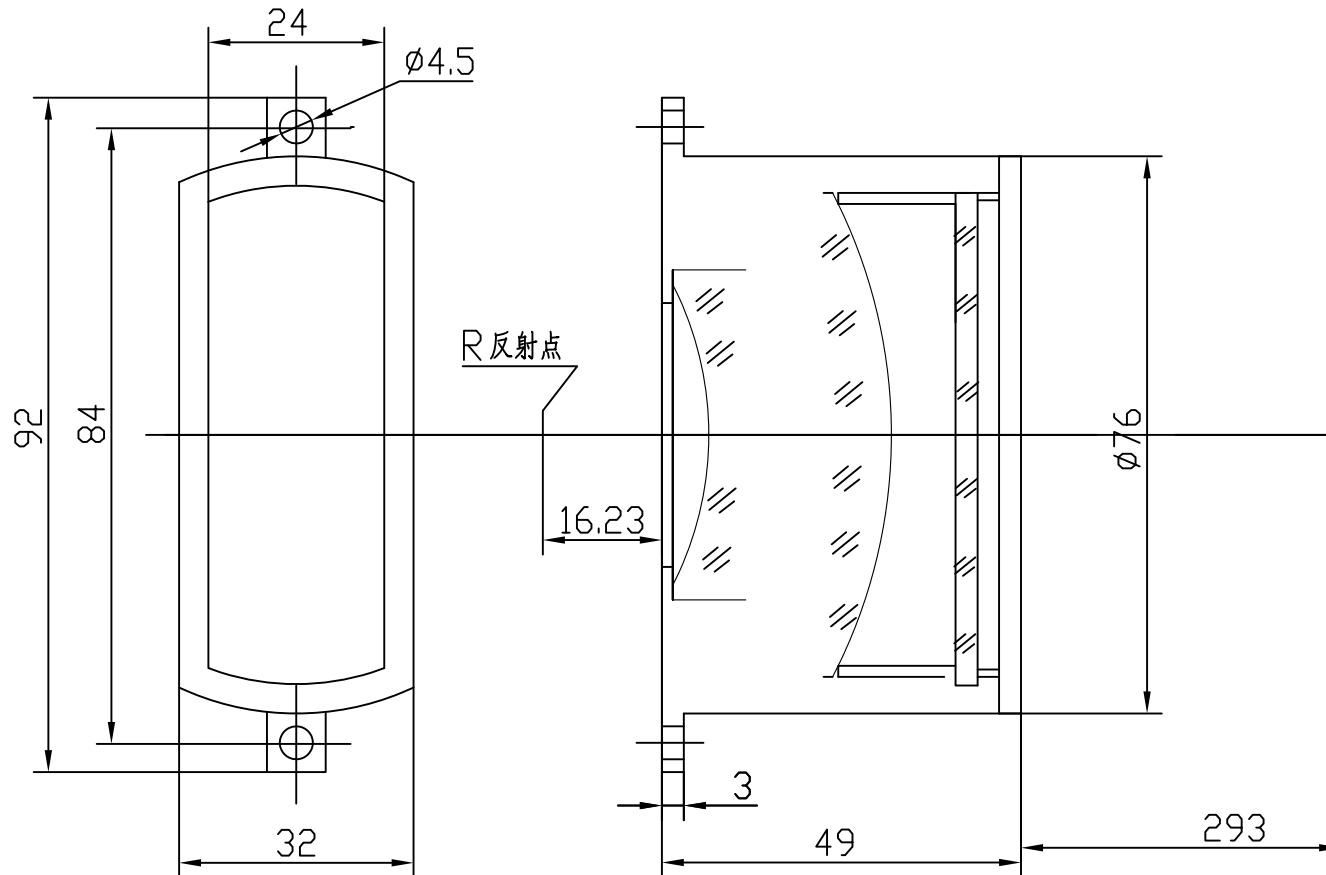


F-Theta f=254mm D20mm for clean

Drawing No. SH-CL-1064-250-254-20-FS



Specification

| | |
|-----------------------------------|---------------------------|
| EFL | 254mm |
| S | 293mm |
| Wavelength | $\lambda = 1064\text{nm}$ |
| scan angle | $\pm 28^\circ$ |
| max scan length | 250mm |
| Entrance beam diameter ϕ | 20mm |
| Center point diameter ($1/e^2$) | 35 μm |
| Edge point diameter ($1/e^2$) | 36 μm |
| mirror distance m1 | |
| mirror distance m2 | 12 |
| Transmission > | 97% |
| Thread | |
| With protective window | yes |